



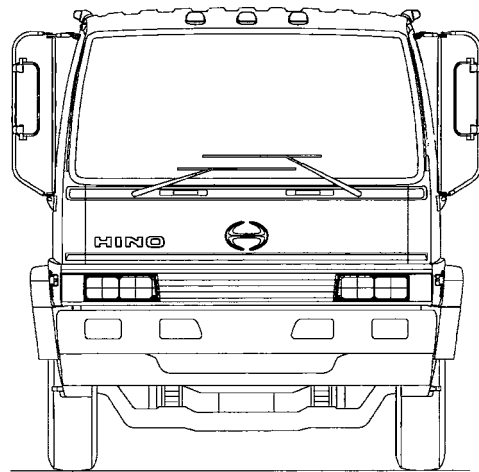
QUALITY PARTS,
THE PERFECT FIT™

QUICK REFERENCE PARTS CATALOG

1998 - 2004

MODEL YEAR EDITION

Note: all parts listed
for 2003 models also
fit 2004 models.



HINO DIESEL TRUCKS (U.S.A.) INC

TABLE OF CONTENTS

| SECTION | CONTENTS | PAGE |
|---|---|------|
| MODEL INFORMATION & CATALOGS | | |
| | Hino Model Determination | A-1 |
| | Model Designator Chart..... | A-2 |
| | Gross Weight Ratings..... | A-2 |
| | Engine Type..... | A-2 |
| | Hino Model Availability By Model Year..... | A-3 |
| | Model Number Interpretation..... | A-3 |
| | Hino Parts Catalogs..... | A-4 |
| | Hino Workshop Manuals..... | A-5 |
| AIR CONDITIONING AND HEATING | | |
| | Air Conditioning Kits, Replacement Parts and Compressor Drive Belt | 1 |
| | Heater Fan Motor, Fan Switch and Heater Core | 1 |
| ACCESSORIES | | |
| | Block Heater | 2 |
| | Air Ride Suspension Seat - Base Kit | 2 |
| | Radio Kits..... | 2 |
| | Heated Mirrors | 2 |
| | Stainless Steel Wheel Liners | 3 |
| | Locking Fuel Caps | 3 |
| | Floor Mat Sets | 3 |
| | Storage Bin Drawer | 3 |
| | Grille Guards..... | 3 |
| | CAB Air Deflectors..... | 3 |
| BEARINGS | | |
| | Front Wheel Bearings | 4 |
| | Rear Axle Bearings..... | 4 |
| BRAKE SYSTEM | | |
| | Relined Exchange Brake Shoes | 6 |
| | Brake Shoe Lining | 6 |
| | Brake Drums | 6 |
| | Brake Shoe Retracting Spring | 7 |
| | Wheel Cylinders - Front Brakes..... | 7 |
| | Wheel Cylinders - Rear Brakes | 8 |
| | Brake Chambers - Front Brakes | 8 |
| | Brake Chambers - Rear Brakes..... | 8 |
| | Air Brake Valve Assemblies..... | 9 |
| | Air Brake Foot Valve Assemblies | 10 |
| | Air Compressor Assemblies | 10 |
| | Brake Master Cylinders - FA/FB..... | 10 |
| | Brake Servo Assemblies - FA/FB..... | 10 |
| | ABS Wheel Sensors | 10 |
| | Vacuum Brake ABS Modulator | 10 |
| | Air Brake Valve Assemblies - Air Over Hydraulic Systems 2000-1-FB..... | 11 |
| | Air Brake Valve Assemblies - Air Over Hydraulic Systems 1998-FD/FE/FF | 12 |
| | Air Brake Valve Assemblies - Air Over Hydraulic Systems 1999-2001-FD/FE/FF..... | 13 |
| | Air Brake Valve Assemblies - Full Air Systems 1998-SG..... | 14 |

TABLE OF CONTENTS

| SECTION | CONTENTS | PAGE |
|--|--|------|
| BRAKE SYSTEM | | |
| | Air Brake Valve Assemblies - Full Air Systems 1999-2001-SG | 15 |
| | Rockwell Automatic Slack Adjusters - Full Air Systems | 16 |
| | Parking Brake Cable..... | 16 |
| | Parking Brake Drums, Shoes, Lining & Return Springs | 16 |
| CAB AND LAMPS | | |
| | Hino Paints | 17 |
| | FA/FB - Cab Panels & Trim, Bumpers, Glass, and Mirrors | 18 |
| | FD/FE - Cab Panels & Trim, Bumpers, Glass, and Mirrors..... | 20 |
| | FF/SG - Cab Panels & Trim, Bumpers, Glass, and Mirrors | 24 |
| | Mirror Replacement Parts..... | 28 |
| | Seat Assemblies | 30 |
| | FA/FB - Lamp Assemblies & Lens..... | 32 |
| | FD/FE/FF/SG - Lamp Assemblies & Lens..... | 34 |
| CABLES | | |
| | Transmission Control Shift Cables - Manual Transmission..... | 36 |
| | Engine Control and Speedometer Cables | 36 |
| CHASSIS | | |
| | Front and Rear Suspension - Shocks, Springs and King Pin Sets | 37 |
| | Steering - P/S Pump, Gear Box, Tie Rod Ends, Drag Links | 38 |
| | Axles | 39 |
| | Lug Nuts, Studs & Hub Bolt Kits | 39 |
| | Rear Wheel Inner Cap Nuts | 39 |
| | Lug Nut Wrench..... | 40 |
| | Wheels..... | 40 |
| | Valve Stem For Tubeless Wheels | 40 |
| | Universal Joints | 40 |
| | Front And Rear Spring Repair: Bushings, Pins & Hardware..... | 41 |
| CLUTCH & FLYWHEEL | | |
| | Clutches | 42 |
| | Clutch Release Bearing, Hubs & Forks | 42 |
| | Clutch Cylinders and Repair kits | 43 |
| | Flywheels..... | 43 |
| | Flywheel Dowel Pins (Pressure Plate Alignment Dowels) | 43 |
| COOLING SYSTEM - Water Pump, Hoses, Drive Belts, Thermostats, Radiators, Kits | | |
| | FA/FB Cooling System | 44 |
| | FD/FE/FF/SG Cooling System | 45 |
| ELECTRICAL | | |
| | Starters, Alternators & Alternator Drive Belts | 46 |
| | Fusible Links and Cover | 46 |
| | Battery Box Covers..... | 47 |
| | Electrical Horns..... | 47 |
| | Relay & Flasher Assemblies..... | 47 |
| | Engine Electrical - Water Temperature Sender, Oil Pressure Switch, Glow Plugs..... | 47 |
| | Instruments and Gauges | 48 |
| | Electrical Switches..... | 49 |
| | Steering Column Combination Switch | 49 |
| | Ignition Switch & Key blanks | 49 |
| | Complete Lock Sets & Door Key With Tumblers..... | 49 |

TABLE OF CONTENTS

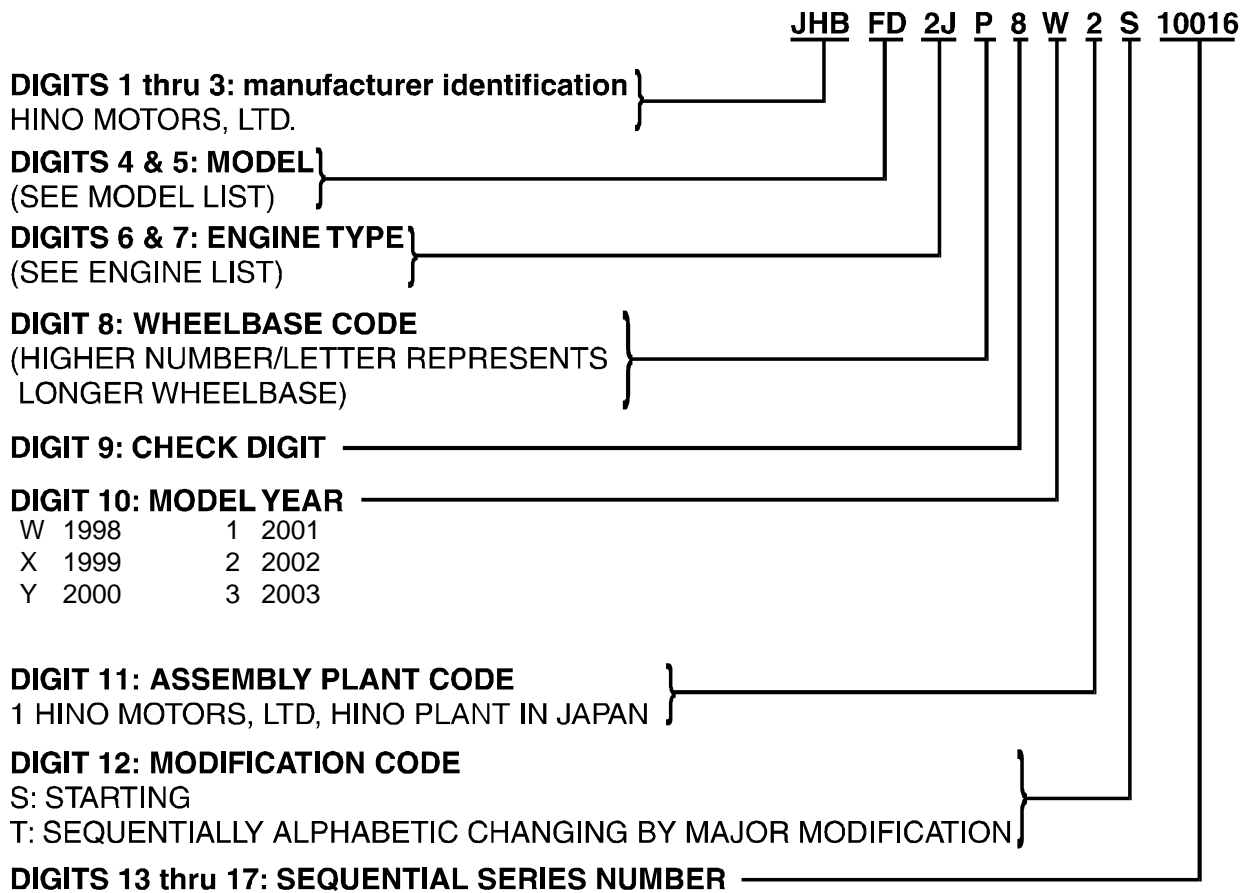
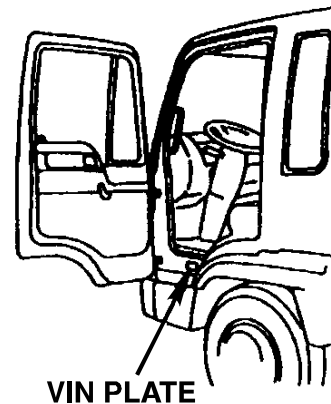
| SECTION | CONTENTS | PAGE |
|--------------------------|--|-------------|
| ENGINE | | |
| | Engine Series Identification | 50 |
| | Piston Liners | 51 |
| | Piston and Liner Kits..... | 51 |
| | Piston, Piston Ring Sets, Wrist Pins, Snap Rings, Wrist Pin Kits & Connecting Rod Bearing Sets | 51 |
| | Main Bearings & Thrust Washers..... | 52 |
| | Valves, Valve Springs, Valve Guides & Seals..... | 52 |
| | Oil Pump Assemblies | 52 |
| | Oil Filler Cap..... | 52 |
| | Drain Plug - Oil Pan..... | 52 |
| EXHAUST SYSTEM | | |
| | FA/FB Exhaust System | 53 |
| | FD/FE/FF/SG Exhaust System..... | 54 |
| FILTERS | | |
| | Oil, Fuel & Air Filters..... | 55 |
| | Power Steering & Automatic Transmission Filters | 55 |
| FUEL SYSTEM | | |
| | Fuel Tank, Caps, Fuel Gauge Sending Unit..... | 56 |
| | Fuel Injection System - Nozzles, Pumps..... | 56 |
| GASKETS | | |
| | Engine Gaskets & Gasket Overhaul Sets | 57 |
| | Transmission Gasket Sets..... | 57 |
| OIL SEALS | | |
| | Engine Oil Seals | 58 |
| | Axle Seals..... | 58 |
| | Transmission & Differential Oil Seals | 58 |
| TURBOCHARGER | | |
| | FA/FB Turbocharger..... | 59 |
| | FD/FE/FF/SG Turbocharger | 60 |
| WINDSHIELD WIPERS | | |
| | Windshield Wipers..... | 61 |

HINO MODEL DETERMINATION

In order to use this catalog and determine the correct part number for the vehicle, it is necessary to determine the Model and model year. In some cases, it may be necessary to determine the wheelbase length, engine model and the type of transmission.

The Model, model year, wheelbase and engine model information is contained on the Vehicle Identification Number (VIN) plate. This plate is located on the drivers door sill as shown.

Use the following chart to determine the Model, model year and engine for the vehicle.



MODEL INFORMATION & CATALOGS

MODEL DESIGNATOR CHART

| VIN CODE | CAB/BODY TYPE | SERIES, GVWR (lbs) | BRAKE SYSTEMS |
|----------|----------------------------|------------------------------|---------------------------------|
| FA | FORWARD CONTROL TYPE TRUCK | 14,001 - 15,500 (Class 4) | HYDRAULIC BRAKE SYSTEM |
| FB | FORWARD CONTROL TYPE TRUCK | 16,001 - 18,000 (Class 5) | HYDRAULIC BRAKE SYSTEM |
| FD | FORWARD CONTROL TYPE TRUCK | 19,501 - 22,500 (Class 6) | AIR OVER HYDRAULIC BRAKE SYSTEM |
| FE | FORWARD CONTROL TYPE TRUCK | 22,501 - 26,000 (Class 6) | AIR OVER HYDRAULIC BRAKE SYSTEM |
| FF | FORWARD CONTROL TYPE TRUCK | 26,001 - 30,000 (Class 7) | AIR OVER HYDRAULIC BRAKE SYSTEM |
| SG | FORWARD CONTROL TYPE TRUCK | 30,001 - 33,000 (Class 7) | AIR BRAKE SYSTEM |

GROSS WEIGHT RATINGS

| MODELS | TIRE SIZE | GVWR (kg) | GAWR (kg) | | GVWR (lbs.) | GAWR (lbs.) | |
|--------|----------------------|-----------|-----------|-------|-------------|-------------|--------|
| | | | FRONT | REAR | | FRONT | REAR |
| FA | 215/85R16-10 | 6,800 | 2,430 | 4,480 | 15,000 | 5,360 | 9,880 |
| FB | 215/75R17.5-12 | 8,000 | 2,700 | 5,500 | 17,600 | 5,950 | 12,100 |
| | 235/85R16-10 | 7,740 | 2,700 | 5,040 | 17,060 | 5,950 | 11,100 |
| FD | 9R22.5-12(F) | 10,100 | 3,500 | 7,170 | 22,300 | 7,700 | 15,800 |
| | 245/70R19.5-133/131J | 10,100 | 3,500 | 7,200 | 22,300 | 7,700 | 15,900 |
| | 225/70R22.5-140/137M | 11,790 | 4,670 | 9,200 | 25,995 | 10,300 | 20,280 |
| FE | 11R22.5-14(G) | 11,790 | 4,670 | 9,200 | 25,995 | 10,300 | 20,300 |
| | 295/75R22.5-14(G) | 11,790 | 4,670 | 9,200 | 25,995 | 10,300 | 20,300 |
| FF | 11R22.5-14(G) | 13,600 | 5,300 | 9,610 | 30,000 | 11,700 | 21,200 |
| | 295/75R22.5-14(G) | 13,600 | 5,300 | 9,610 | 30,000 | 11,700 | 21,200 |
| SG | 11R22.5-14(G) | 14,900 | 5,300 | 9,610 | 32,900 | 11,700 | 21,200 |
| | 295/75R22.5-14(G) | 14,900 | 5,300 | 9,610 | 32,900 | 11,700 | 21,200 |

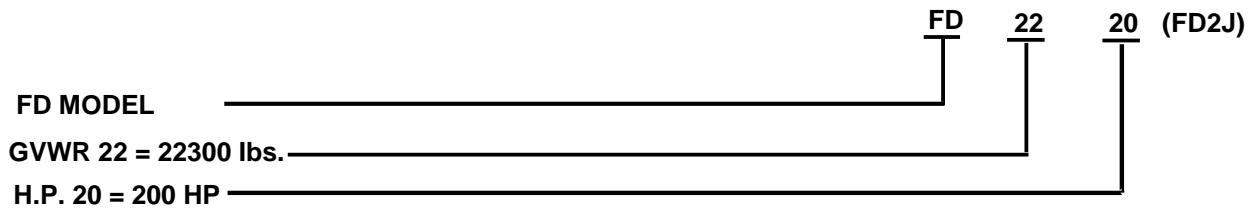
ENGINE TYPE

| CODE | MANUFACTURER | MODEL | DESCRIPTION |
|------|-------------------|------------|-----------------------------------|
| 4J | HINO MOTORS, LTD | J05C-TB/TD | 5.3 LITERS, DIESEL, 165HP / 168HP |
| 2J | HINO MOTORS, LTD. | J08C-TD/TP | 8.0 LITERS, DIESEL, 200HP / 200HP |
| 1J | HINO MOTORS, LTD. | J08C-TE/TR | 8.0 LITERS, DIESEL, 250HP / 252HP |

**HINO MODEL DETERMINATION
HINO MODEL AVAILABILITY BY MODEL YEAR**

| MODELS | MODEL YEARS | | | | | | | | | | | | | |
|---------------|-------------|----|----|----|----|----|----|----|----|----|----|----|----|----|
| | 98 | 99 | 00 | 01 | 02 | 03 | 04 | 05 | 06 | 07 | 08 | 09 | 10 | 11 |
| FA1517 (FA4J) | X | X | X | X | X | X | | | | | | | | |
| FB1817 (FB4J) | X | X | X | X | X | X | | | | | | | | |
| FD2220 (FD2J) | X | X | X | X | X | X | | | | | | | | |
| FE2620 (FE2J) | X | X | X | X | X | X | | | | | | | | |
| FF3020 (FF2J) | X | X | X | X | X | | | | | | | | | |
| SG3320 (SG2J) | X | X | X | X | X | | | | | | | | | |
| SG3325 (SG1J) | X | X | X | X | X | X | | | | | | | | |

**MODEL NUMBER INTERPRETATION
(EXAMPLE)**



MODEL INFORMATION & CATALOGS

HINO PARTS CATALOGS

NOTE: 1998 through 2001 Hino Parts Catalogs are available in sets of microfiche or in printed parts catalogs. When ordering a printed parts catalog, please utilize the listed catalog number followed by the letter "B" (ie. FB2231EB). Please specify which you require when ordering.

| YEAR | MODEL | CATALOG NO. | LATEST REVISION DATE |
|------|------------|-------------|----------------------|
| 1998 | FA/FB4J | FB2231E | JUNE 1997 |
| | FD/FE2J | FD2171E | JUNE 1997 |
| | FF2J | FF2571E | JUNE 1997 |
| | SG2J | SG2201E | JUNE 1997 |
| | SG1J | SG2191E | JUNE 1997 |
| 1999 | FA/FB4J | FB2240E | JAN. 1998 |
| | FD/FE2J | FD2180E | JAN. 1998 |
| | FF2J | FF2580E | JAN. 1998 |
| | SG2J | SG2220E | JAN. 1998 |
| | SG1J | SG2210E | JAN. 1998 |
| 2000 | FA/FB4J | FB2250E | AUG. 1998 |
| | FD/FE/FF2J | FD2190E | AUG. 1998 |
| | SG2J/SG1J | SG2230E | AUG. 1998 |
| 2001 | FA/FB4J | FB2260E | MAR. 2000 |
| | FD/FE/FF2J | FD2200E | MAR. 2000 |
| | SG2J/SG1J | SG2240E | MAR. 2000 |
| 2002 | FA/FB4J | FA2231E | MAR. 2001 |
| | FD/FE/FF2J | FD2210E | MAR. 2001 |
| | SG2J/SG1J | SG22451E | MAR. 2001 |
| 2003 | FA/FB4J | CD-ROM | JUNE 2002 |
| | FD/FE/FF2J | | |
| | SG2J/SG1J | | |

HINO WORKSHOP MANUALS

| MODEL YEAR | MODEL | DESCRIPTION | MANUAL PART NUMBER |
|-------------------|----------------|-----------------------------------|---------------------------|
| 1998 | FA, FB | ENGINE, CHASSIS, BODY, ELECTRICAL | S1239E09 |
| | FD, FE, FF, SG | ENGINE | S1134E131 |
| | | CHASSIS, BODY, ELECTRICAL | S1134E132 |
| 1999 | FA, FB | ENGINE, CHASSIS, BODY, ELECTRICAL | S1239E10 |
| | FD, FE, FF, SG | ENGINE | S1134E141 |
| | | CHASSIS, BODY, ELECTRICAL | S1134E142 |
| 2000 | FA, FB | ENGINE, CHASSIS, BODY, ELECTRICAL | S1239E11 |
| | FD, FE, FF, SG | ENGINE | S1134E151 |
| | | CHASSIS, BODY, ELECTRICAL | S1134E152 |
| 2001 | FA, FB | ENGINE, CHASSIS, BODY, ELECTRICAL | S1239E12 |
| | FD, FE, FF, SG | ENGINE | S1134E161 |
| | | CHASSIS, BODY, ELECTRICAL | S1134E162 |
| 2002 | FA, FB | ENGINE, CHASSIS, BODY, ELECTRICAL | S1239E13 |
| | FD, FE, FF, SG | ENGINE | S1134E171 |
| | | CHASSIS, BODY, ELECTRICAL | S1134E172 |
| 2003 | FA, FB | ENGINE, CHASSIS, BODY, ELECTRICAL | S1239E14 |
| | FD, FE, FF, SG | ENGINE | S1134E181 |
| | | CHASSIS, BODY, ELECTRICAL | S1134E182 |

NOTES

AIR CONDITIONING AND HEATING

AIR CONDITIONING

| DESCRIPTION | PART NUMBER | APPLICATION | YEAR |
|-------------------------------|-------------|-------------|-------------|
| A/C Kits | 883005543A | FA | 1998 - 2001 |
| | 883005544A | FA | 2002 - 2003 |
| | 883005543A | FB | 1998 - 1999 |
| | 883006691A | FB | 2002 - 2003 |
| | 883006690A | FB | 2000 - 2001 |
| | 883005501A | FD | 1998 - 2001 |
| | 883006760A | FD | 2002 - 2003 |
| | 883005512A | FE | 1998 - 2001 |
| | 883006770A | FE | 2002 - 2003 |
| | 883005522A | FF/SG | 1998 - 2001 |
| | 883005522A | FF/SG | 2002 - 2003 |
| Receiver Dryer | 884701140A | ALL MODELS | 1998 - 2003 |
| A/C Thermostats | 886211260A | ALL MODELS | 1998 - 2003 |
| A/C ON/OFF Control Switch | 886101130A | ALL MODELS | 1998 - 2003 |
| A/C Expansion Valves | 885151060A | FA/FB | 1998 - 2003 |
| | 885151050A | FD/FE/FF/SG | 1998 - 2003 |
| Idler Pulley Assemblies | 883601280A | ALL MODELS | 1998 - 2003 |
| A/C Compressors - With Clutch | 883101710A | ALL MODELS | 1998 - 2003 |
| - Without Clutch | 883201520A | ALL MODELS | 1998 - 2003 |
| Compressor Clutch | 883301130A | ALL MODELS | 1998 - 2003 |
| A/C Relay Assembly | 859202480A | FA/FB | 1998 - 2003 |
| | 859201920A | FD/FE/FF/SG | 1998 - 2001 |
| A/C Compressor Drive Belt | 883811100A | ALL MODELS | 1998 - 2001 |

HEATER FAN MOTOR, FAN SWITCH AND HEATER CORE

| DESCRIPTION | PART NUMBER | APPLICATION | YEAR |
|-------------------|-------------|-------------|-------------|
| Heater Fan Motor | 871041060A | ALL MODELS | 1998 - 2003 |
| Heater Fan Switch | 874801170A | ALL MODELS | 1998 - 2003 |
| Heater Core | 871071101A | ALL MODELS | 1998 - 2003 |

ACCESSORIES

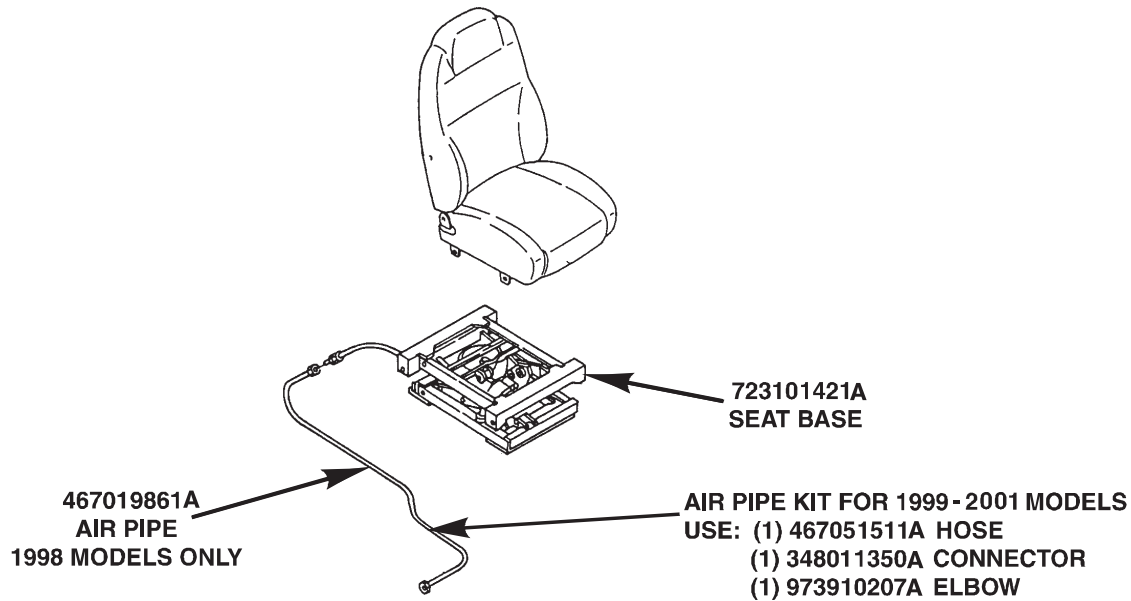
BLOCK HEATER - ENGINE COOLANT

| DESCRIPTION | PART NUMBER | APPLICATION | YEAR |
|----------------------------|-------------|-------------|-------------|
| Block Heaters (120V 1000W) | H3500018 | J05C, J08C | 1998 - 2003 |

AIR RIDE SUSPENSION SEAT - BASE KIT

APPLICATION: FD/FE/FF/SG MODELS

NOTE: Convert the existing drivers seat to an Air Ride Seat by installing an Air Suspension seat base as shown along with the air pipe.



RADIO KITS

| DESCRIPTION | PART NUMBER | APPLICATION | YEAR |
|--------------------------------------|-------------|-------------|-------------|
| AM/FM Stereo Kit | C100 | ALL MODELS | 1998 - 2000 |
| AM/FM Stereo Cassette Kit | C300 | ALL MODELS | 1998 - 2000 |
| Antenna | 863201230A | ALL MODELS | 1998 - 2003 |
| AM/FM Stereo Cassette Kit W/Remote | 86110H460D | ALL MODELS | 2001 - 2003 |
| AM/FM Stereo CD Kit W/Remote | 86110H465D | ALL MODELS | 2001 - 2003 |
| Premium AM/FM Stereo CD Kit W/Remote | 86110H665D | ALL MODELS | 2001 - 2003 |

HEATED REAR VIEW OUTSIDE DOOR MIRRORS

| DESCRIPTION | PART NUMBER | APPLICATION | YEAR |
|--|-------------|-------------|-------------|
| R/H Heated Mirror | H207020012V | ALL MODELS | 1998 - 2003 |
| L/H Heated Mirror | H207030012V | ALL MODELS | 1998 - 2003 |
| R/H Heated Mirror with Clearance Light | H207070012V | ALL MODELS | 2001 |
| L/H Heated Mirror with Clearance Light | H207060012V | ALL MODELS | 2001 |
| Heated Mirror Switch | 842803020A | ALL MODELS | 1998 - 2003 |

NOTE: Wiring not available in 1998 - 99 vehicles. Wiring is at installers discretion on these vehicles.

ACCESSORIES

STAINLESS STEEL WHEEL LINERS

| DESCRIPTION | PART NUMBER | APPLICATION | YEAR |
|--------------------------|-------------|------------------|-------------|
| 16 X 6.0 1 PC. 6 LUG | 42600H4010 | FA | 1998 - 2003 |
| 17.5 X 6.0 1 PC. 6 LUG | 42600H4080 | FB | 1998 - 2003 |
| 22.5 X 6.75 1 PC. 6 LUG | 42600H4100 | FD | 1998 - 2003 |
| 19.5 X 6.75 1 PC. 6 LUG | 42600H4090 | FD (Low Profile) | 1998 - 2003 |
| 22.5 X 7.5 1 PC. 10 LUG | 42600H4100 | FE/FF/SG | 1998 - 2003 |
| 22.5 X 8.25 1 PC. 10 LUG | 42600H4100 | FF/SG | 1998 - 2003 |

FEATURES

Each Hino Stainless Steel Wheel Liner Set Includes:

- 2 front and 2 rear wheel simulators
- 8 screw stud extenders †
- 8 screw jam nuts †
- 8 lug nut covers to go over jam nuts †
- 4 Hino emblems for the center hub covers
- Special Tools
- Special Bolts*
- 4 Locking Rings*
- A set of Air Valve Extenders*

Ease of Installation

Lifetime Warranty

All parts in the set are tough stainless steel which affords a lifetime warranty against rust, peeling and corrosion.

† - All Models Except 42600H4100

* - 42600H4100 Only

LOCKING FUEL CAPS

| DESCRIPTION | PART NUMBER | APPLICATION | YEAR |
|-------------------|-------------|-------------|-------------|
| Locking Fuel Caps | 77310H3600 | ALL MODELS | 1998 - 2003 |

FLOOR MAT SETS

| DESCRIPTION | PART NUMBER | APPLICATION | YEAR |
|---|-------------|-------------|-------------|
| Floor Mat Set (Rubber) With Hino Emblem | 74700H3545 | ALL MODELS | 1998 - 2003 |

STORAGE BIN DRAWER FOR UNDER DRIVER'S SEAT ONLY

| DESCRIPTION | PART NUMBER | APPLICATION | YEAR |
|--------------------|-------------|-------------|-------------|
| Air Deflector Kit | 051 | F3S | 1998 - 2001 |
| Air Deflector Kit | 102" | F3W | 1998 - 2001 |
| Storage Bin Drawer | 727021010A | FF/SG | 1998 - 2003 |
| | | ALL MODELS | 1998 - 2003 |

All Hino Air Deflectors come finished in Hino White, gel coat. Air Deflectors are only shipped via ground transportation, due to size limitations.

NOTE: Cannot be used with Air Ride Driver's Seat.

CAB AIR DEFLECTORS

| DESCRIPTION | HEIGHT | PART NUMBER | APPLICATION | YEAR |
|-------------------|--------|-------------|-------------|-------------|
| Air Deflector Kit | 90" | F4 | FA/FB | 1998 - 2001 |
| Air Deflector Kit | 96" | F5 | FA/FB | 1998 - 2001 |
| Air Deflector Kit | 95" | F2S | FD/FE | 1998 - 2001 |
| Air Deflector Kit | 102" | F2W | FD/FE | 1998 - 2001 |
| Air Deflector Kit | 95" | F3S | FF/SG | 1998 - 2001 |
| Air Deflector Kit | 102" | F3W | FF/SG | 1998 - 2001 |

All Hino Air Deflectors come finished in Hino White, gel coat. Air Deflectors are only shipped via ground transportation, due to size limitations.

BEARINGS**FRONT WHEEL BEARINGS**

| DESCRIPTION | PART NUMBER | APPLICATION | YEAR |
|---------------------------|--------------------|--------------------|-------------|
| Inner Front Wheel Bearing | 988450124A | FA/FB | 1998 - 2003 |
| | 988450104A | FD | 1998 - 2003 |
| | 988465115A | FE/FF/SG | 1998 - 2003 |
| Outer Front Wheel Bearing | 988435105A | FA/FB | 1998 - 2001 |
| | 988435109A | FA/FB | 2002 - 2003 |
| | 988435120A | FD | 1998 - 2003 |
| | 988450104A | FE/FF/SG | 1998 - 2003 |

REAR AXLE BEARINGS

| DESCRIPTION | PART NUMBER | APPLICATION | YEAR |
|-------------------------|--------------------|--------------------|-------------|
| Inner Rear Axle Bearing | 988475101A | FA/FB/FD | 1998 - 2003 |
| | 988485104A | FE/FF/SG | 1998 - 2003 |
| Outer Rear Axle Bearing | 988465109A | FA/FB/FD | 1998 - 2003 |
| | 988475101A | FE/FF/SG | 1998 - 2003 |

BRAKE SYSTEM

RELINED EXCHANGE BRAKE SHOES

| DESCRIPTION | PART NUMBER | APPLICATION | YEAR |
|---------------------------------|-------------|-------------|-------------|
| Front Brake Shoe (Non-Asbestos) | 474103430R | FA/FD | 1998 - 2003 |
| | 474103430R | FB | 1998 - 1999 |
| | 474105220R | FB | 2000 - 2003 |
| | 474103730R | FE/FF | 1998 - 2003 |
| | H4700R | SG | 1998 - 2003 |
| Rear Brake Shoe (Non-Asbestos) | 474302800R | FA/FD | 1998 - 2003 |
| | 474302800R | FB | 1998 - 1999 |
| | 474304570R | FB | 2000 - 2003 |
| | 474303090R | FE/FF | 1998 - 2003 |
| | H4701R | SG | 1998 - 2003 |

BRAKE SHOE LINING

| DESCRIPTION | PART NUMBER | RIVET | APPLICATION | YEAR |
|---|----------------|-----------------|-------------|-------------|
| Front Brake Lining - Non-Asbestos (Qty Per Shoe) | 474415580A (1) | 947906101A (14) | FA/FD | 1998 - 2003 |
| | 474415580A (1) | 947906101A (14) | FB | 1998 - 1999 |
| | 474417970A (1) | 947906101A (14) | FB | 2000 - 2003 |
| | 474416140A (2) | 947906105A (20) | FE/FF | 1998 - 2003 |
| | 474416590A (2) | 947906108A (16) | SG | 1998 - 2003 |
| Rear Brake Lining - Non-Asbestos (Qty Per Shoe) | 474432050A (1) | 947906101A (14) | FA/FD | 1998 - 2003 |
| | 474432050A (1) | 947906101A (14) | FB | 1998 - 1999 |
| | 474433240A (1) | 947906101A (14) | FB | 2000 - 2003 |
| | 474432350A (2) | 947906105A (24) | FE/FF | 1998 - 2001 |
| | 474416630A (2) | 947906108A (24) | SG | 1998 - 2001 |

BRAKE DRUMS

| DESCRIPTION | PART NUMBER | APPLICATION | YEAR |
|-------------------------------|-------------|-------------|-------------|
| Left Front Drum | 435123231A | FA/FB | 1998 - 2003 |
| | 435123950A | FD | 1998 - 2003 |
| | 435123960A | FE/FF | 1998 - 2003 |
| | 435123980A | SG | 1998 - 2003 |
| Right Front Drum | 435123221A | FA/FB | 1998 - 2003 |
| | 435123940A | FD | 1998 - 2003 |
| | 435123970A | FE/FF | 1998 - 2003 |
| | 435123980A | SG | 1998 - 2003 |
| Rear Drum - Left & Right Same | 435122780A | FA/FB | 1998 - 1999 |
| | 435124470A | FA/FB | 2000 - 2003 |
| | 435122780A | FD | 1998 |
| | 435124470A | FD | 1999 - 2003 |
| | 435122570A | FE/FF | 1998 - 2003 |
| | 435123140A | SG | 1999 - 2003 |

BRAKE SYSTEM**BRAKE SHOE RETRACTING SPRING**

| DESCRIPTION | PART NUMBER (QTY) | APPLICATION | YEAR |
|--------------------------------------|------------------------------------|-------------|-------------|
| Front Brake Shoe (Qty. Per Wheel) | 474501220A (2) | FA/FB | 1998 - 2003 |
| | 474501220A (2) | FD | 1998 - 2003 |
| | 474501190A (2) | FE/FF | 1998 - 2003 |
| | 476601290A (1) | SG | 1998 - 2003 |
| Rear Brake Shoe (Qty. Per Wheel) | 474501230A (2) | FA/FB | 1998 - 2003 |
| | 474501230A (2) | FD | 1998 - 2003 |
| | 474501250A (2) | FE/FF | 1998 - 2003 |
| | 476601300A (1) & 987306105A (1) | SG | 1998 - 2003 |

WHEEL CYLINDERS - FRONT BRAKES

| DESCRIPTION | PART NUMBER (QTY) | APPLICATION | YEAR |
|--|-------------------|-------------|-------------|
| Left Front Wheel Cylinder (Qty Per Side) | 475301511A (2) | FA/FB | 1998 - 2003 |
| | 475301451A (2) | FD | 1998 - 2003 |
| | 475301531A (2) | FE/FF | 1998 - 2003 |
| Right Front Wheel Cylinder (Qty Per Side) | 475101511A (2) | FA/FB | 1998 - 2003 |
| | 475101451A (2) | FD | 1998 - 2003 |
| | 475101531A (2) | FE/FF | 1998 - 2003 |
| Repair Kit (Qty Per Axle) | 040475134A (1) | FA/FB | 1998 - 2003 |
| | 040475158A (1) | FD | 1998 - 2003 |
| | 040475142A (1) | FE/FF | 1998 - 2003 |

BRAKE SYSTEM

WHEEL CYLINDERS - REAR BRAKES

REAR WHEEL CYLINDER LOCATOR

| PART NUMBER PREFIX | LOCATION OF BRAKE CYLINDER |
|--------------------|--|
| 47550 | FRONT CYLINDER ON RIGHT REAR BACKING PLATE |
| 47560 | REAR CYLINDER ON RIGHT REAR BACKING PLATE |
| 47570 | FRONT CYLINDER ON LEFT REAR BACKING PLATE |
| 47580 | REAR CYLINDER ON LEFT REAR BACKING PLATE |

| DESCRIPTION | PART NUMBER (QTY) | APPLICATION | YEAR |
|---|-------------------|-------------|-------------|
| Left Rear Wheel Cylinder (Qty Per Side) | 475801381A (1) | FA | 1998 - 2003 |
| | 475801471A (1) | FB | 1998 - 1999 |
| | 475801381A (1) | FB | 2000 - 2003 |
| | 475701391A (1) | FA/FB | 1998 - 2003 |
| | 475701571A (1) | FD | 1998 - 2003 |
| | 475801521A (1) | | |
| | 475701551A (1) | FE/FF | 1998 - 2003 |
| | 475801501A (1) | | |
| Right Rear Wheel Cylinder (Qty Per Side) | 475601511A (1) | FA | 1998 - 2003 |
| | 475601601A (1) | FB | 1998 - 1999 |
| | 475601511A (1) | FB | 2000 - 2003 |
| | 475501971A (1) | FA/FB | 1998 - 2003 |
| | 475502211A (1) | FD | 1998 - 2003 |
| | 475601651A (1) | | |
| | 475502191A (1) | FE/FF | 1998 - 2003 |
| | 475601631A (1) | | |
| Repair Kit (Qty Per Axle) | 040475135A (1) | FA/FB | 1998 - 2003 |
| | 040475144A (1) | FD | 1998 - 2003 |
| | 040475163A (1) | FD | 2002 - 2003 |
| | 040475143A (1) | FE/FF | 1998 - 2003 |
| | 040475164A (1) | FE/FF | 2002 - 2003 |

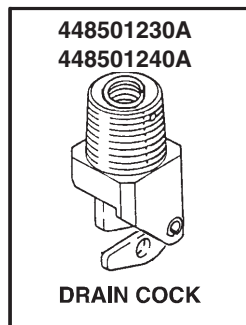
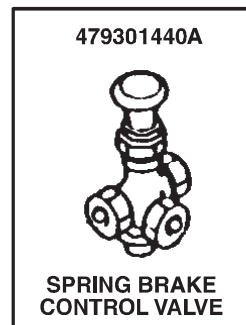
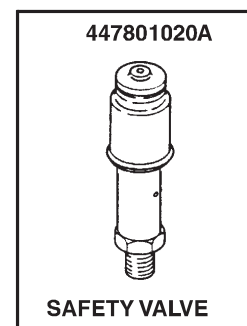
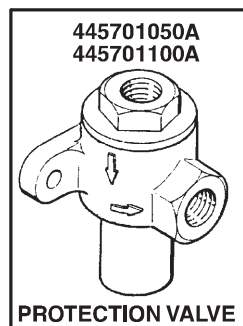
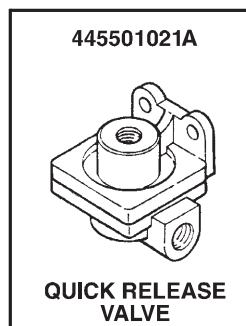
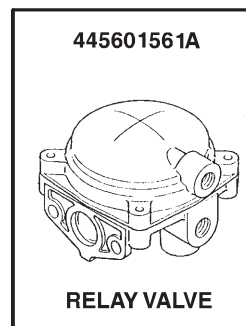
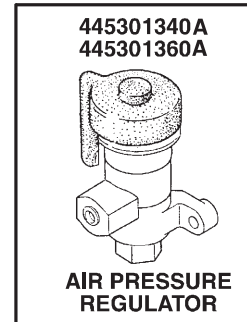
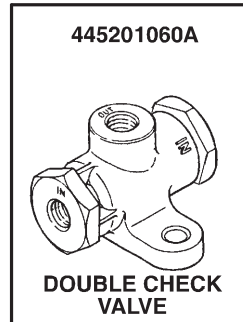
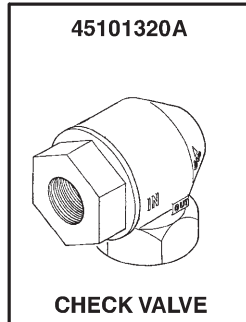
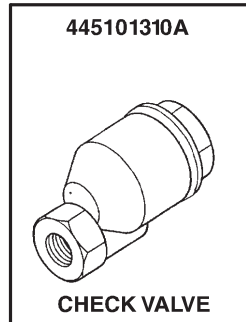
BRAKE CHAMBERS - FRONT BRAKES

| DESCRIPTION | PART NUMBER | APPLICATION | YEAR |
|---------------------|-------------|-------------|-------------|
| Left Brake Chamber | 478303040A | SG | 1998 - 2003 |
| Right Brake Chamber | 478303050A | SG | 1998 - 2003 |

BRAKE CHAMBERS - REAR BRAKES

| DESCRIPTION | PART NUMBER | APPLICATION | YEAR |
|--------------------------|-------------|-------------|-------------|
| Left Rear Brake Chamber | 478502380A | SG | 1998 - 2003 |
| Right Rear Brake Chamber | 478502390A | SG | 1998 - 2003 |

AIR BRAKE VALVE ASSEMBLIES



NOTE: See pages 10 through 15 for applications.

BRAKE SYSTEM

AIR BRAKE FOOT VALVE ASSEMBLIES

| DESCRIPTION | PART NUMBER | APPLICATION | YEAR |
|-------------------------------------|-------------|-------------|-------------|
| Foot Valve Assembly (With Pedal) | 471602630A | FB | 2000 - 2003 |
| | 471603270A | FB | 2002 - 2003 |
| Foot Valve Assembly (With Pedal) | 471602630A | FD/FE | 1998 - 2003 |
| Foot Valve Assembly (Without Pedal) | 471602620A | FF/SG | 1998 - 2003 |
| Foot Valve Repair Kit | 440693590A | FD/FE/FF/SG | 1998 - 2003 |

AIR COMPRESSOR ASSEMBLIES

| DESCRIPTION | PART NUMBER | APPLICATION | YEAR |
|-------------------------|-------------|-------------|-------------|
| Air Compressor Assembly | 291002344A | FB | 2000 - 2003 |
| Air Compressor Assembly | 291002344A | FD/FE/FF | 1998 - 2003 |
| Air Compressor Assembly | 291002364A | SG | 1998 - 2003 |

BRAKE MASTER CYLINDERS - FA/FB (VACUUM SERVO)

| DESCRIPTION | PART NUMBER | APPLICATION | YEAR |
|-----------------------------|-------------|-------------|-------------|
| Brake Master Cylinder | 472001490A | FA | ALL |
| | | FB | 1998 - 1999 |
| Repair Kit, Master Cylinder | 040472024A | FA | ALL |
| | | FB | 1998 - 1999 |

BRAKE VACUUM SERVO ASSEMBLIES - FA/FB

| DESCRIPTION | SERVO TYPE | PART NUMBER | REPAIR KIT | APPLICATION | YEAR |
|-------------|------------|-------------|------------|-------------|-------------|
| Brake Servo | HYDRO-VAC | 446201392A | 440694120A | FA/FB | 1998 - 1999 |
| Brake Servo | HYDRO-VAC | 446201600A | 440695520A | FA | 2000 - 2003 |

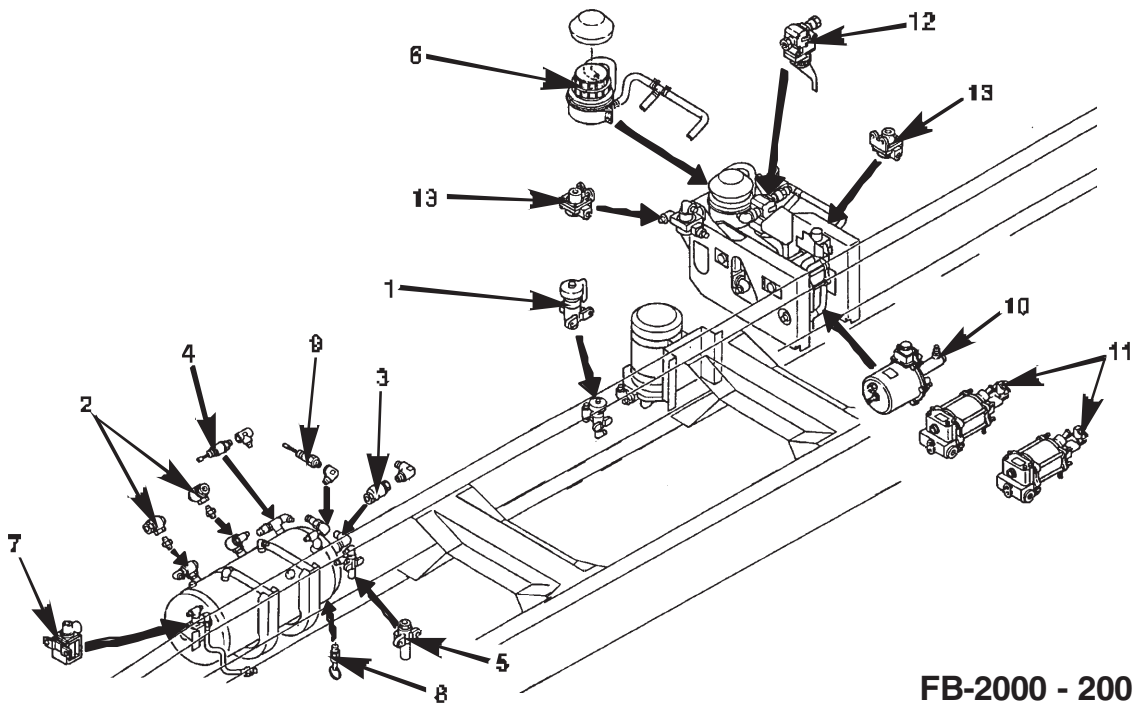
ABS WHEEL SENSORS (1999-2001 MODELS ONLY)

| DESCRIPTION | PART NUMBER | APPLICATION | YEAR |
|------------------------------|---------------------|-------------|-------------|
| Front Wheel ABS Wheel Sensor | 894413611A | FA/FB | 2000 - 2003 |
| | 894412590A | FD | 1999 - 2003 |
| | 894412612A | FE/FF | 1999 - 2003 |
| | 894412561A | SG | 1999 - 2003 |
| Rear Wheel ABS Wheel Sensor | 894413621A | FA/FB | 2000 - 2003 |
| | 894412600A | FD | 1999 - 2003 |
| | 894412622A | FE/FF | 1999 - 2003 |
| | - R/H 894412572A | SG | 1999 - 2003 |
| | - L/H 894412582A | SG | 1999 - 2003 |

VACUUM BRAKE ABS MODULATOR

| DESCRIPTION | PART NUMBER | APPLICATION | YEAR |
|------------------------------------|-------------|-------------|-------------|
| ABS Modulator | 446001570A | FA | 2000 - 2003 |
| Modulator Replacement Cushions (3) | 1330744000 | FA | 2000 - 2003 |
| Modulator Replacement Studs (3) | 1330764000 | FA | 2000 - 2003 |

BRAKE SYSTEM



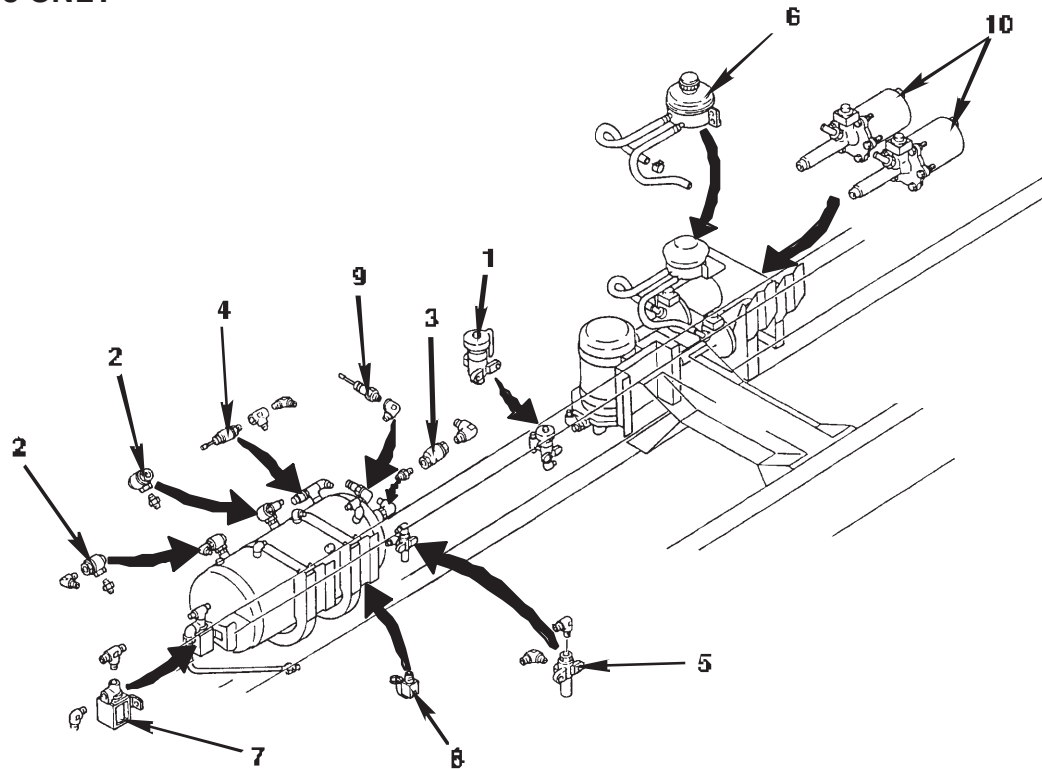
FB-2000 - 2001

AIR BRAKE VALVE ASSEMBLIES - AIR OVER HYDRAULIC SYSTEMS FB-2000 - 2001

| KEY | DESCRIPTION | PART NUMBER | APPLICATION | YEAR |
|-----|---|-------------|-------------|-------------|
| 1 | Air Pressure Regulator Assembly | 445301360A | FB | 2000 - 2001 |
| 2 | Check Valve Assembly | 445101320A | FB | 2000 - 2001 |
| 2 | Check Valve Assembly | 445101190A | FB | 2002 - 2003 |
| 3 | Check Valve Assembly | 445101310A | FB | 2000 - 2001 |
| 3 | Check Valve Assembly | 445101090A | FB | 2002 - 2003 |
| 4 | Safety Valve Assembly | 447801020A | FB | 2000 - 2001 |
| 5 | Protection Valve Assembly | 445701050A | FB | 2000 - 2001 |
| 6 | Reservoir Assembly | 472203820A | FB | 2000 - 2001 |
| 7 | Solenoid Valve, Exhaust Brake | 276103690A | FB | 2000 - 2001 |
| 8 | Drain Cock | 448501240A | FB | 2000 - 2001 |
| 8 | Drain Cock | 448501251A | FB | 2002 - 2003 |
| 9 | Low Pressure Switch | 833801510A | FB | 2000 - 2003 |
| 10 | Brake Servo | 446403290A | FB | 2000 - 2003 |
| | Repair Kits | | | |
| | AIR MASTER | 440695340A | FB | 2000 - 2003 |
| | MAJOR KIT | | | |
| 11 | ABS Modulator Assembly (2 Required) | 446001560A | FB | 2000 - 2003 |
| | Seal Repair Kits | 440695440A | FB | 2000 - 2001 |
| | Seal Repair Kits | 440695520A | FB | 2002 - 2003 |
| | Piston Repair Kits | 440695420A | FB | 2000 - 2003 |
| 12 | ABS Modulator Assembly | 446001550A | FB | 2000 - 2003 |
| 13 | Quick Release Valve Assembly (2 Required) | 445501021A | FB | 2000 - 2003 |

BRAKE SYSTEM

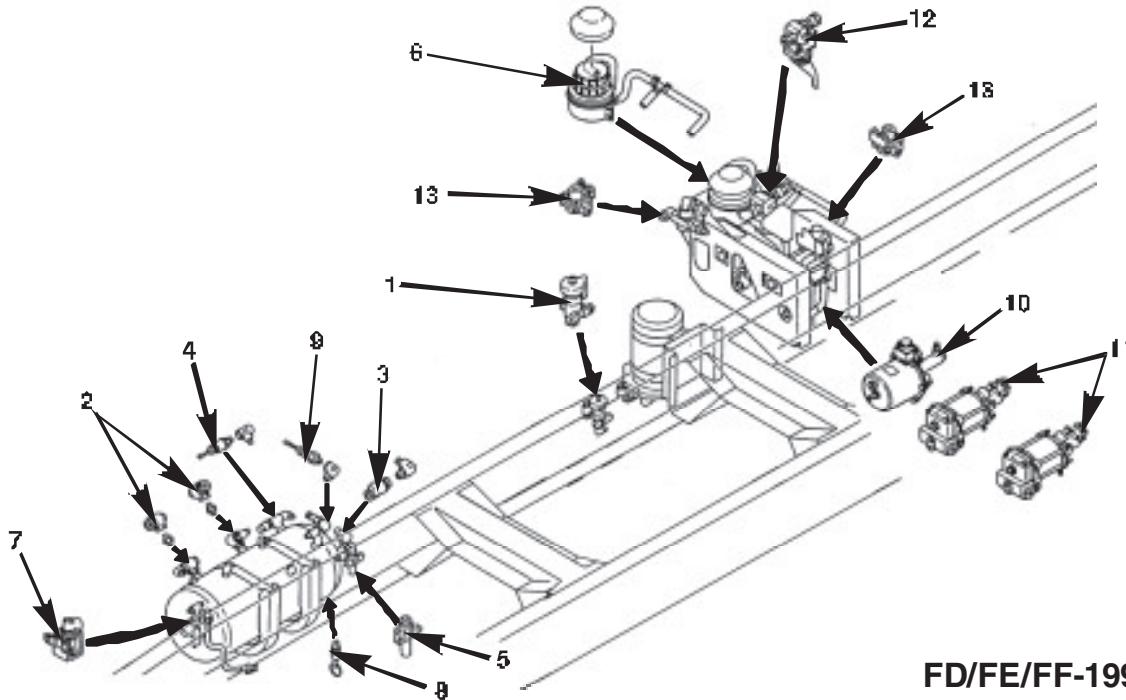
FD/FE/FF - 1998 ONLY



AIR BRAKE VALVE ASSEMBLIES - AIR OVER HYDRAULIC SYSTEMS FD/FE/FF-1998

| KEY | DESCRIPTION | | PART NUMBER | APPLICATION | YEAR | |
|-----|---------------------------------|-------------|-------------|-------------|------|------|
| 1 | Air Pressure Regulator Assembly | | 445301360A | FD/FE/FF | 1998 | |
| 2 | Check Valve Assembly | | 445101320A | FD/FE/FF | 1998 | |
| 3 | Check Valve Assembly | | 445101310A | FD/FE/FF | 1998 | |
| 4 | Safety Valve Assembly | | 447801020A | FD/FE/FF | 1998 | |
| 5 | Protection Valve Assembly | | 445701050A | FD/FE/FF | 1998 | |
| 6 | Reservoir Assembly | | 472202890A | FD/FE/FF | 1998 | |
| 7 | Solenoid Valve, Exhaust Brake | | 276102161A | FD/FE/FF | 1998 | |
| 8 | Drain Cock | | 448501230A | FD/FE/FF | 1998 | |
| 9 | Low Pressure Switch | | 833801570A | FD/FE/FF | 1998 | |
| 10 | Brake Servo | Front | AIR MASTER | 446402410A | FD | 1998 |
| | | Rear | AIR MASTER | 446402490A | FD | 1998 |
| | | Repair Kits | MAJOR KIT | 440692340A | FD | 1998 |
| | | | MINOR KIT | 440692330A | FD | 1998 |
| | Front & Rear | Repair Kits | AIR MASTER | 446402410A | FE | 1998 |
| | | | MAJOR KIT | 440692340A | FE | 1998 |
| | | | MINOR KIT | 440692330A | FE | 1998 |
| | Front & Rear | Repair Kits | AIR MASTER | 446403050A | FF | 1998 |
| | | | MAJOR KIT | 440692340A | FF | 1998 |
| | | | MINOR KIT | 440692330A | FF | 1998 |

BRAKE SYSTEM



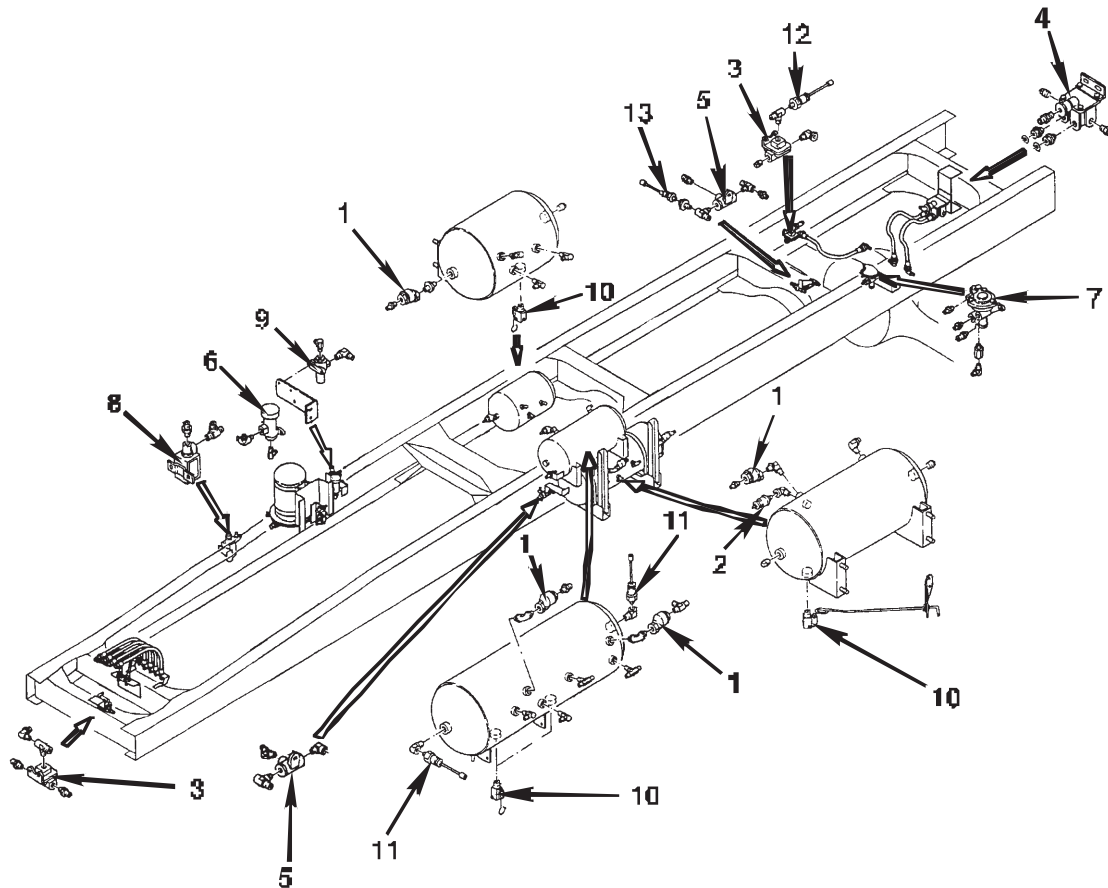
FD/FE/FF-1999 - 2001

AIR BRAKE VALVE ASSEMBLIES - AIR OVER HYDRAULIC SYSTEMS 1999 - 2001

| KEY | DESCRIPTION | PART NUMBER | APPLICATION | YEAR |
|-----|---|---------------------------------------|-------------|-------------|
| 1 | Air Pressure Regulator Assembly | 445301360A | FD/FE/FF | 1999 - 2003 |
| 2 | Check Valve Assembly | 445101320A | FD/FE/FF | 1999 - 2001 |
| 2 | Check Valve Assembly | 445101190A | FD/FE/FF | 2002 - 2003 |
| 3 | Check Valve Assembly | 445101310A | FD/FE/FF | 1999 - 2001 |
| 3 | Check Valve Assembly | 445101090A | FD/FE/FF | 2002 - 2003 |
| 4 | Safety Valve Assembly | 447801020A | FD/FE/FF | 1999 - 2003 |
| 5 | Protection Valve Assembly | 445701050A | FD/FE/FF | 1999 - 2003 |
| 6 | Reservoir Assembly | 472203610A | FD/FE/FF | 1999 |
| | | 472203800A | FD/FE/FF | 2000 - 2003 |
| 7 | Solenoid Valve, Exhaust Brake | 276102161A | FD/FE/FF | 1999 |
| | | 276103690A | FD/FE/FF | 2000 - 2003 |
| 8 | Drain Cock | 448501240A | FD/FE/FF | 1999 - 2001 |
| 8 | Drain Cock | 448501251A | FD/FE/FF | 2002 - 2003 |
| 9 | Low Pressure Switch | 833801510A | FD/FE/FF | 1999 - 2003 |
| 10 | Brake Servo Repair Kits | AIR MASTER MAJOR KIT 446402600A | FD/FE/FF | 1999 |
| | | 440692340A | FD/FE/FF | 1999 |
| | | MINOR KIT 440692330A | FD/FE/FF | 1999 |
| | Brake Servo Repair Kits | AIR MASTER MAJOR KIT 446403290A | FD/FE/FF | 2000 - 2003 |
| | | 440695340A | FD/FE/FF | 2000 - 2003 |
| 11 | ABS Modulator Assembly (2 Required) | 446001391A | FD/FE/FF | 1999 |
| | Seal Repair Kits | 440695260A | FD/FE/FF | 1999 |
| | Piston Repair Kits | 440695270A | FD/FE/FF | 1999 |
| | ABS Modulator Assembly (2 Required) | 446001560A | FD/FE/FF | 2000 - 2003 |
| | Seal Repair Kits | 440695440A | FD/FE/FF | 2000 - 2003 |
| | Piston Repair Kits | 440695420A | FD/FE/FF | 2000 - 2003 |
| 12 | ABS Modulator Assembly | 446001380A | FD/FE/FF | 1999 |
| | | 446001550A | FD/FE/FF | 2000 - 2003 |
| 13 | Quick Release Valve Assembly (2 Required) | 445501021A | FD/FE/FF | 1999 - 2003 |

BRAKE SYSTEM

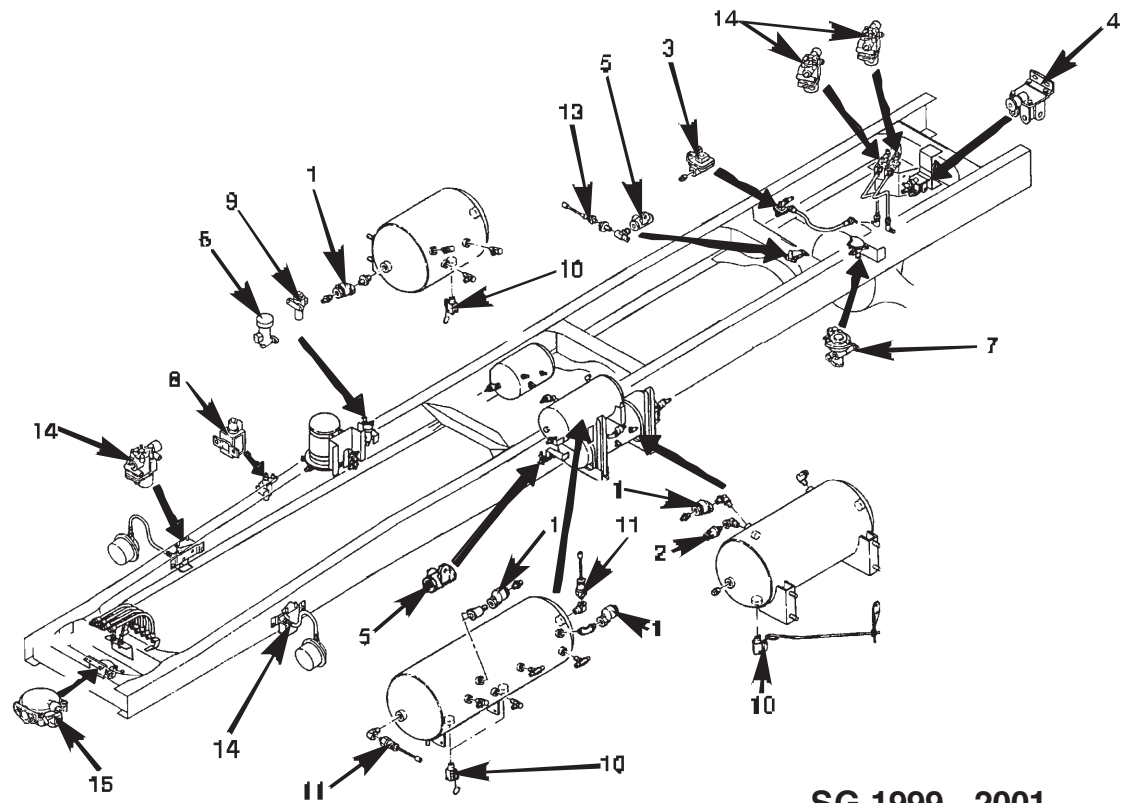
SG-1998 ONLY



AIR BRAKE VALVE ASSEMBLIES - FULL AIR SYSTEMS SG-1998

| KEY | DESCRIPTION | PART NUMBER | APPLICATION | YEAR |
|--------|--|-------------|-------------|------|
| 1 | Check Valve Assembly (4 required) | 445101310A | SG | 1998 |
| 2 | Safety Valve Assembly | 447801020A | SG | 1998 |
| 3 | Quick Release Valve (2 required) | 445501021A | SG | 1998 |
| 4 | Relay Valve Assembly | 445401630A | SG | 1998 |
| 5 | Double Check Valve (2 required) | 445201060A | SG | 1998 |
| 6 | Air Pressure Regulator | 445301340A | SG | 1998 |
| 7 | Pressure Control Valve Assembly | 447601050A | SG | 1998 |
| 8 | Solenoid Valve Assembly, Exhaust Brake | 276102161A | SG | 1998 |
| 9 | Protection Valve | 445701100A | SG | 1998 |
| 10 | Drain Cock (4 required) | 448501230A | SG | 1998 |
| 11 | Pressure Switch Assembly (2 required) | 833801510A | SG | 1998 |
| 12 | Pressure Switch Assembly | 833801570A | SG | 1998 |
| 13 | Oil Pressure Switch Assembly | 835301290A | SG | 1998 |
| Page 9 | Spring Brake Control Valve Assembly | 479301440A | SG | 1998 |

BRAKE SYSTEM



SG-1999 - 2001

AIR BRAKE VALVE ASSEMBLIES - FULL AIR SYSTEMS SG 1999 - 2001

| KEY | DESCRIPTION | PART NUMBER | APPLICATION | YEAR |
|--------|--|-------------|-------------|-------------|
| 1 | Check Valve Assembly (4 required) | 445101310A | SG | 1999 - 2003 |
| 2 | Safety Valve Assembly | 447801020A | SG | 1999 - 2003 |
| 3 | Quick Release Valve (1 required) | 445501021A | SG | 1999 - 2003 |
| 4 | Relay Valve Assembly | 445401630A | SG | 1999 - 2003 |
| 5 | Double Check Valve (2 required) | 445201060A | SG | 1999 - 2003 |
| 6 | Air Pressure Regulator | 445301330A | SG | 1999 - 2003 |
| 7 | Pressure Control Valve Assembly | 447601060A | SG | 1999 - 2003 |
| 8 | Solenoid Valve Assembly, Exhaust Brake | 276102161A | SG | 1999 |
| | | 276103690A | SG | 2000 - 2003 |
| 9 | Protection Valve | 445701100A | SG | 1999 - 2000 |
| | | 445701050A | SG | 2001 - 2003 |
| 10 | Drain Cock (4 required) | 448501230A | SG | 1999 - 2003 |
| 11 | Pressure Switch Assembly (2 required) | 833801510A | SG | 1999 - 2003 |
| 12 | Pressure Switch Assembly | 833801570A | SG | 1999 - 2003 |
| 13 | Oil Pressure Switch Assembly | 835301290A | SG | 1999 - 2003 |
| 14 | ABS Modulator Assembly (4 required) | 446001370A | SG | 1999 - 2001 |
| | Seal Repair Kit | 446001920A | SG | 2002 - 2003 |
| | Piston Repair Kit | 440695260A | SG | 1999 - 2003 |
| | | 440695270A | SG | 1999 - 2003 |
| 15 | Relay Valve Assembly | 445401561A | SG | 1999 - 2003 |
| Page 9 | Spring Brake Control Valve Assembly | 479301440A | SG | 1999 - 2003 |

BRAKE SYSTEM

ROCKWELL AUTOMATIC SLACK ADJUSTERS FULL AIR SYSTEMS

| DESCRIPTION | PART NUMBER | APPLICATION | YEAR |
|-------------|-------------|-------------|-------------|
| Left Front | 474901150A | SG | 1998 - 2003 |
| Right Front | 474801730A | SG | 1998 - 2003 |
| Left Rear | 474901140A | SG | 1998 - 2003 |
| Right Rear | 474801700A | SG | 1998 - 2003 |

PARKING BRAKE CABLE

| DESCRIPTION | PART NUMBER | APPLICATION | YEAR |
|---------------------|-------------|---------------------|-------------|
| Parking Brake Cable | 464025431A | FA/FB Manual Trans. | 1998 - 2003 |
| | 464025334A | FA/FB Auto. Trans. | 1998 - 2003 |
| Parking Brake Cable | 464025234A | FD All | 1998 - 2003 |
| Parking Brake Cable | 464025245A | FE Manual Trans. | 1998 - 2003 |
| | 464025253A | FE Auto Trans. | 1998 - 2003 |
| Parking Brake Cable | 464025314A | FE Manual Trans. | 1998 - 2003 |
| | 464025324A | FE Auto Trans. | 1998 - 2003 |

PARKING BRAKE DRUMS, SHOES, LINING & RETURN SPRINGS

| DESCRIPTION | PART NUMBER | APPLICATION | YEAR |
|--|----------------|--|-------------|
| Drums - Parking Brake | 465501200A | FA/FB Manual Trans. | 1998 - 2001 |
| | 465111350A | FA/FB Auto. Trans. | 1998 - 2001 |
| | 465501130A | FD Manual Trans. | 1998 - 2003 |
| | 465111350A | FD Auto. Trans. | 1998 - 2003 |
| | 465111350A | FE/FF All | 1998 - 2003 |
| Shoes - Parking Brake | 465301340A | FA/FB Manual Trans. | 1998 - 2003 |
| | 465301240A | FA/FB Auto. Trans. | 1998 - 2003 |
| | 465301210A | FD Manual Trans. | 1998 - 2003 |
| | 465301240A | FD Auto Trans. | 1998 - 2003 |
| | 465301240A | FE/FF All | 1998 - 2003 |
| Lining - 1 per Shoe - Parking Brake (Rivets - Required per Shoe [12] P/N 9459-05109) | N/A | FA/FB/FD Manual Trans. | 1998 - 2003 |
| | 465311330A | FA/FB/FD Auto Trans. | 1998 - 2003 |
| | 465311330A | FE/FF All | 1998 - 2003 |
| Return Springs - Parking Brake | 987303116A (2) | FA/FB Manual Trans. | 1998 - 2003 |
| | 987302213A (1) | | |
| | 474531040A (2) | FD Manual Trans | 1998 - 2003 |
| | 987302213A (1) | | |
| | 987303155A (2) | FA/FB/FD Auto. Trans. and FE/FF All | 1998 - 2003 |
| | 987302182A (1) | | |

SECTION CONTENTS

| SECTION | PAGE |
|---|-------------|
| CAB PANELS & TRIM, BUMPERS, GLASS AND, MIRRORS | 18 |
| FA/FB..... | 18 |
| FD/FE..... | 20 |
| FF/SG | 24 |
| Mirror Assembly Replacement Parts | 28 |
| SEAT ASSEMBLIES, BOTTOM CUSHIONS, BACK RESTS | |
| Seat Assemblies, Bottom Cushions, Back Rests | 30 |
| Bottom Cushions | 30 |
| Back Rests..... | 30 |
| LAMP ASSEMBLIES & LENS | |
| FA/FB..... | 32 |
| FD/FE/FF/SG | 34 |

HINO PAINTS

Hino paint is available from any local Dupont Automotive Paint Supplier.

HINO PAINT CODE

| DUPONT NO. | COLOR | USAGE | YEAR |
|-------------------------------|--------------|---------------|-------------|
| L-8568L L-8568A L-8568U | WHITE | ALL HINO CABS | 1998 - 2003 |

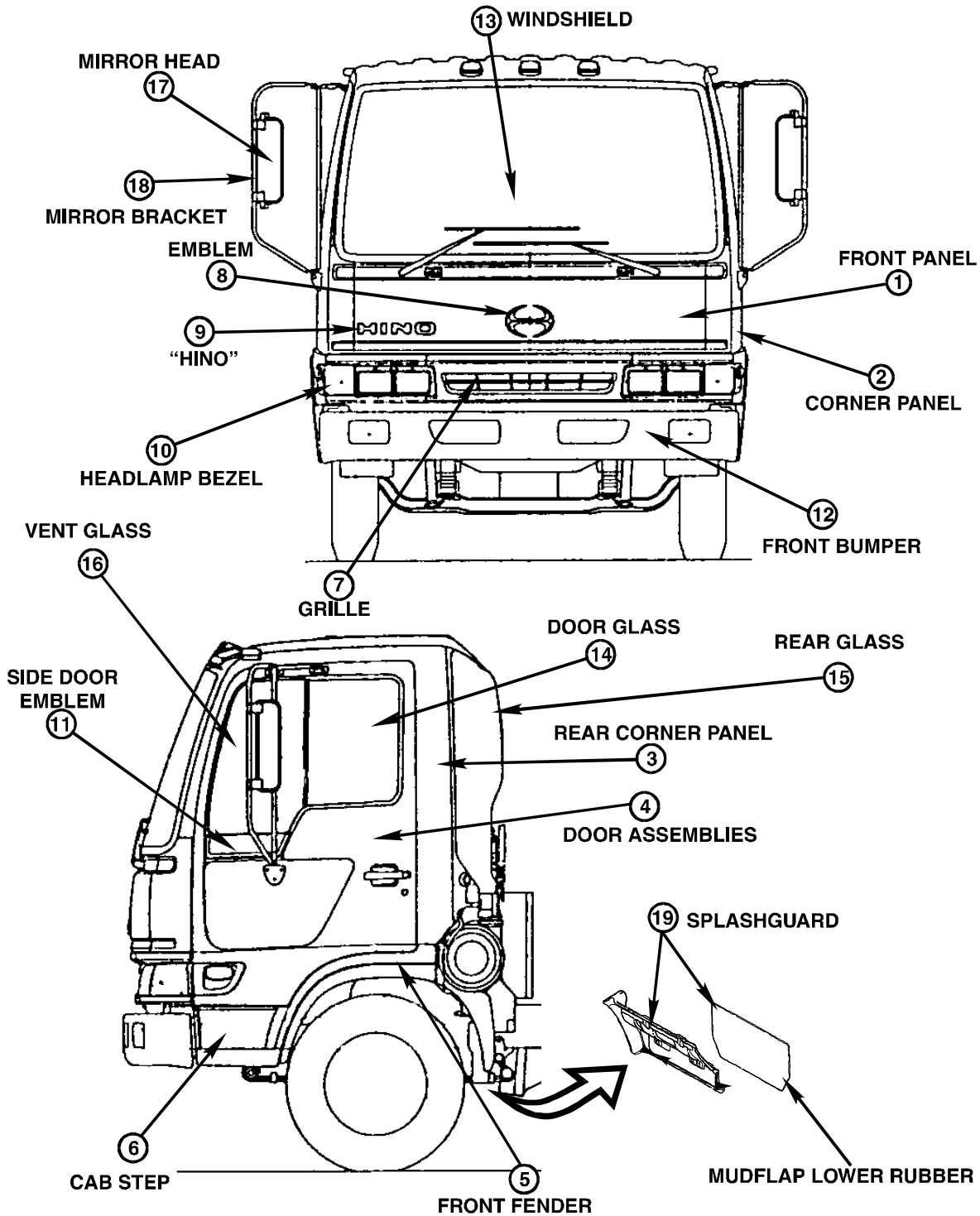
NOTE: "L" Lucite Acrylic Lacquer
 "A" Centari Acrylic Enamel
 "U" IMRON Polyurethane Enamel

CAB AND LAMPS

CAB PANELS & TRIM, BUMPERS, GLASS, AND MIRRORS

MODELS
FA/FB

YEARS
1998 - 2003



CAB PANELS & TRIM, BUMPERS, GLASS, AND MIRRORS

MODELS **YEARS**
FA/FB **1998-2003**

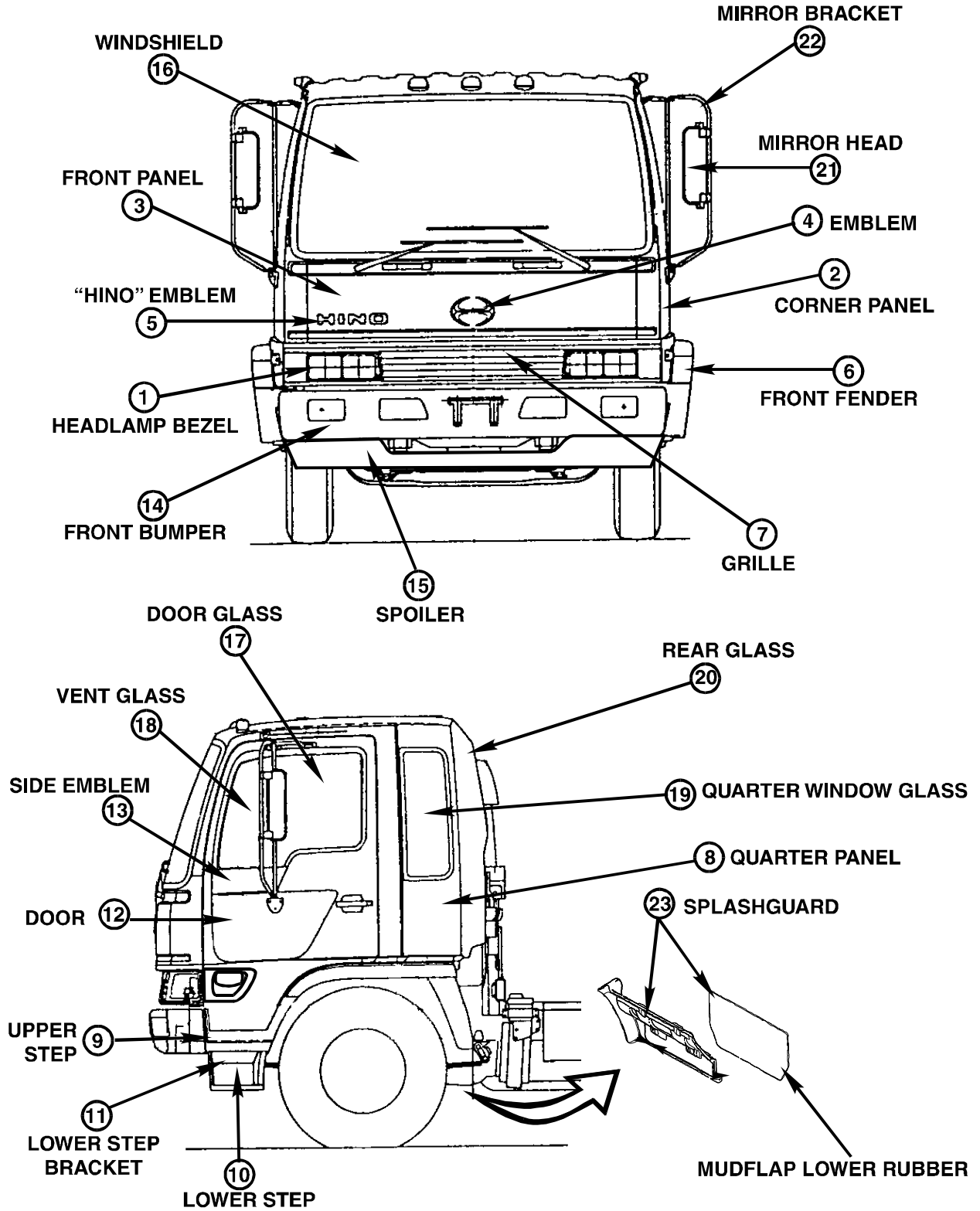
| KEY | DESCRIPTION/APPLICATION | PART NUMBER |
|--------------------------|--|------------------------------|
| PANELS & TRIM | | |
| 1 | Front Panel | 557013490A |
| 2 | Front Corner Panels | L/H 557031281A |
| | | R/H 557021621A |
| 3 | Rear Corner Panels | L/H 610743491A |
| | | R/H 610732000A |
| 4 | Groomed Door Assy Door Shells | (1998-9) L/H 672004280A |
| | | (1998-9) R/H 671004100A |
| | | (2000-1) L/H 672004860A |
| | | (2000-1) R/H 671005000A |
| | | (2002-3) L/H 670122580A |
| | | (2002-3) R/H 670112390A |
| | | (1998-9) L/H 670125311A |
| | | (1998-9) R/H 670111965A |
| | | (2000-1) L/H 670125321A |
| | | (2000-1) R/H 670112225A |
| | | (2002-3) L/H 672005380A |
| (2002-3) R/H 671005540A | | |
| 5 | Front Fenders | L/H 537022020A |
| | | R/H 537011910A |
| 6 | Cab Step | L/H 583121781A |
| | | R/H 583111751A |
| 7 | Grille | 763012901A |
| 8 | Emblem | 765311360A |
| 9 | 'HINO' Emblem Black Plate | L/H 765147560A |
| | | R/H 688021091A 688011140A |
| 10 | Headlamp Bezel - Outer | L/H 761081321A |
| | | R/H 761071461A |
| | Headlamp Bezel - Inner | L/H 761081341A |
| | | R/H 761071481A |
| 11 | Side Door Emblems | FA 765147270A |
| | | FB 765147260A |

| KEY | DESCRIPTION/APPLICATION | PART NUMBER |
|--------------------|--|--------------------------|
| BUMPERS | | |
| 12 | Front Bumper | 521016650A |
| | Front Bumper (2003) | 521019040A |
| | Spoiler Not Shown (Optional) | 52107H1700 |
| GLASS | | |
| 13 | Windshield - Weatherstrip, Windshield | 794111750A |
| | | 794131380A |
| 14 | Door Glass With Bottom Metal Channel | L/H 684601802A |
| | | R/H 684501482A |
| 15 | Rear Glass (Glass Only) - Weatherstrip | 794311300A |
| | | 794331240A |
| 16 | Vent Glass (Glass Only) (1998-2001) | L/H 794611580A |
| | | R/H 794611590A |
| | | L/H 794611580A |
| | | R/H 794611590A |
| | Vent Glass With Trim (1998-2001) | L/H 794601570A |
| | | R/H 794601560A |
| | | L&R 794601550A |
| | | |
| DOOR MIRROR | | |
| 17 | Mirror Head | (1998-1999) L/H H2072100 |
| | | (1998-1999) R/H H2072000 |
| | | (2000-2003) L/H H2070500 |
| | | (2000-2003) R/H H2070400 |
| 18 | Door Mirror Bracket Large Outer Stay (1 Per Side) | (1998-2001) 879064741A |
| | | (2000-2003) 879067740A |
| | Vertical Stay (1 Per Side) | (1998-2001) 879065780A |
| | | (2000-2003) 879065890A |
| | Short Horizontal | 879064950A |
| | Long Horizontal | L/H 879064970A |
| R/H 879064960A | | |
| SPLASHGUARD | | |
| 19 | Splashguard | L/H 583522364A |
| | | R/H 583522354A |
| | Mudflap Lower Rubber | L/H & R/H 762112260A |

CAB AND LAMPS

CAB PANELS & TRIM, BUMPERS, GLASS, AND MIRRORS

MODELS **YEARS**
 FD2220 (FD2J) 1998 - 2003
 FE2620 (FE2J) 1998 - 2003



CAB PANELS & TRIM, BUMPERS, GLASS, AND MIRRORS

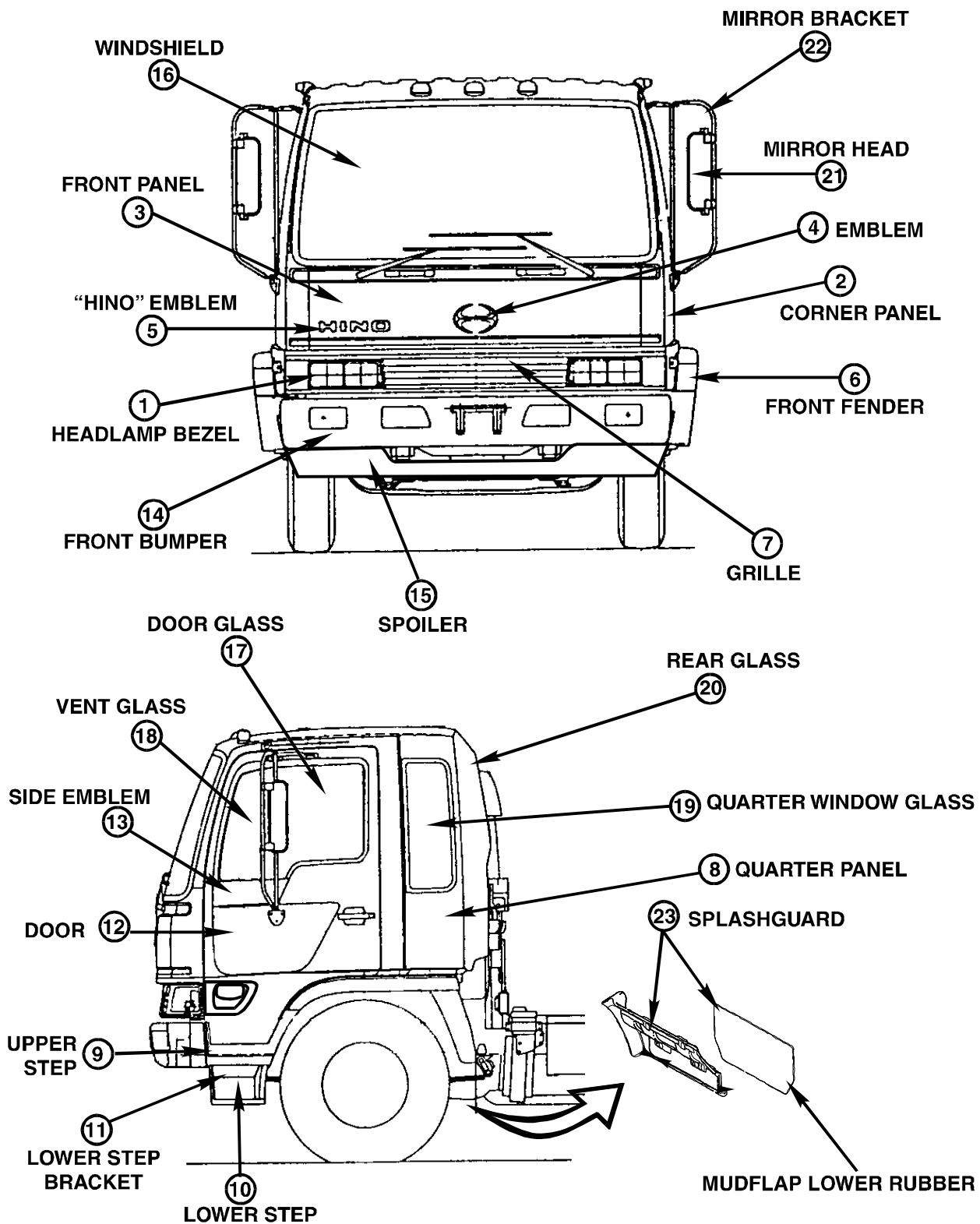
MODELS YEARS
 FD2220 (FD2J) 1998 - 2003
 FE2620 (FE2J) 1998 - 2003

| KEY | DESCRIPTION/APPLICATION | PART NUMBER |
|--------------------------|---------------------------------|-----------------------------|
| PANELS & TRIM | | |
| 1 | Headlamp Bezels – Outer | |
| | | (1998-2001) L/H 761081331A |
| | (2002-2003) L/H 761081321A | |
| | (1998-2001) R/H 761071471A | |
| | (2002-2003) R/H 761071461A | |
| | Headlamp Bezels - Inner | L/H 761121581A |
| R/H 761111621A | | |
| 2 | Corner Panels | L/H 557031281A |
| | | R/H 557021621A |
| | Stripe | L/H 765211500A |
| | | R/H 765211510A |
| 3 | Front Panel | 557011900A |
| | Stripe | 765211480A |
| 4 | Emblem | 765311360A |
| 5 | 'HINO' Emblem | 765147560A |
| 6 | Front Fenders | L/H 537022040A |
| | | R/H 537011860A |
| 7 | Grille | (1998-2001) 763012421A |
| | | (2002-2003) |
| 8 | Quarter Panels | L/H 610741691A |
| | | R/H 610731582A |
| 9 | Step, Upper, Plastic, White | - FD/FE L/H 583121530A |
| | | R/H 583111480A |
| | - FD Low Profile | L/H 583121560A |
| | | R/H 583111530A |
| | Cast Aluminum Plate, Step | - FD & FE 576621183A |
| | | - FD Low Profile 576621224A |
| 10 | Step, Lower Plastic, White | L/H 583121421A |
| | | R/H 583114401A |
| | Cast Aluminum Plate, Lower Step | L/H & R/H 576621232A |
| 11 | Step Bracket - To Frame | - FD L/H & R/H 510871620A |
| | | - FE L/H 510871900A |
| | | R/H 510871891A |

| KEY | DESCRIPTION/APPLICATION | PART NUMBER |
|-------------------------|--------------------------------------|-------------------------------------|
| 12 | Groomed Door Assy | (1998-9) L/H 672004250A |
| | | (1998-9) R/H 671004070A |
| | Door Shells | (2000-1) L/H 672005080A |
| | | (2002-3) L/H 672005390A |
| | | (2000-1) R/H 671005230A |
| | | (2002-3) R/H 671005550A |
| | | (1998-9) L/H 670122300A |
| | | (1998-9) R/H 670111962A |
| | | (2000-1) L/H 670125320A |
| | | (2002-3) L/H 670125580A |
| (2000-1) R/H 670112225A | | |
| (2002-3) R/H 670112390A | | |
| 13 | Side Door Emblem | FD 765147280A |
| | | FE 765147300A |
| | Black Plate | L/H 688021091A |
| | | R/H 688011080A |
| BUMPERS | | |
| 14 | Front Bumper | (1998-2001) 521015100A |
| | | (2002-2003) 521019050A |
| 15 | Spoiler | 521071540A |
| GLASS | | |
| 16 | Windshield | Weatherstrip, Windshield 794115060A |
| | | 794135570A |
| 17 | Door Glass With Bottom Metal Channel | L/H 684601802A |
| | | R/H 684501482A |
| 18 | Vent glass (Glass Only) | L/H 794611580A |
| | | R/H 794611570A |
| | Vent glass With Trim | L/H 794601550A |
| | | R/H 794601560A |
| 19 | Quarter Window Glass | L/H 794411521A |
| | | R/H 794411531A |
| | - Weatherstrip | L/H 794431080A |
| | | R/H 794431090A |
| 20 | Rear Glass (Glass Only) | - Weatherstrip 794311291A |
| | | 794331230A |

CAB AND LAMPS

MODELS YEARS
 FD2220 (FD2J) 1998 - 2003
 FE2620 (FE2J) 1998 - 2003



CAB AND LAMPS

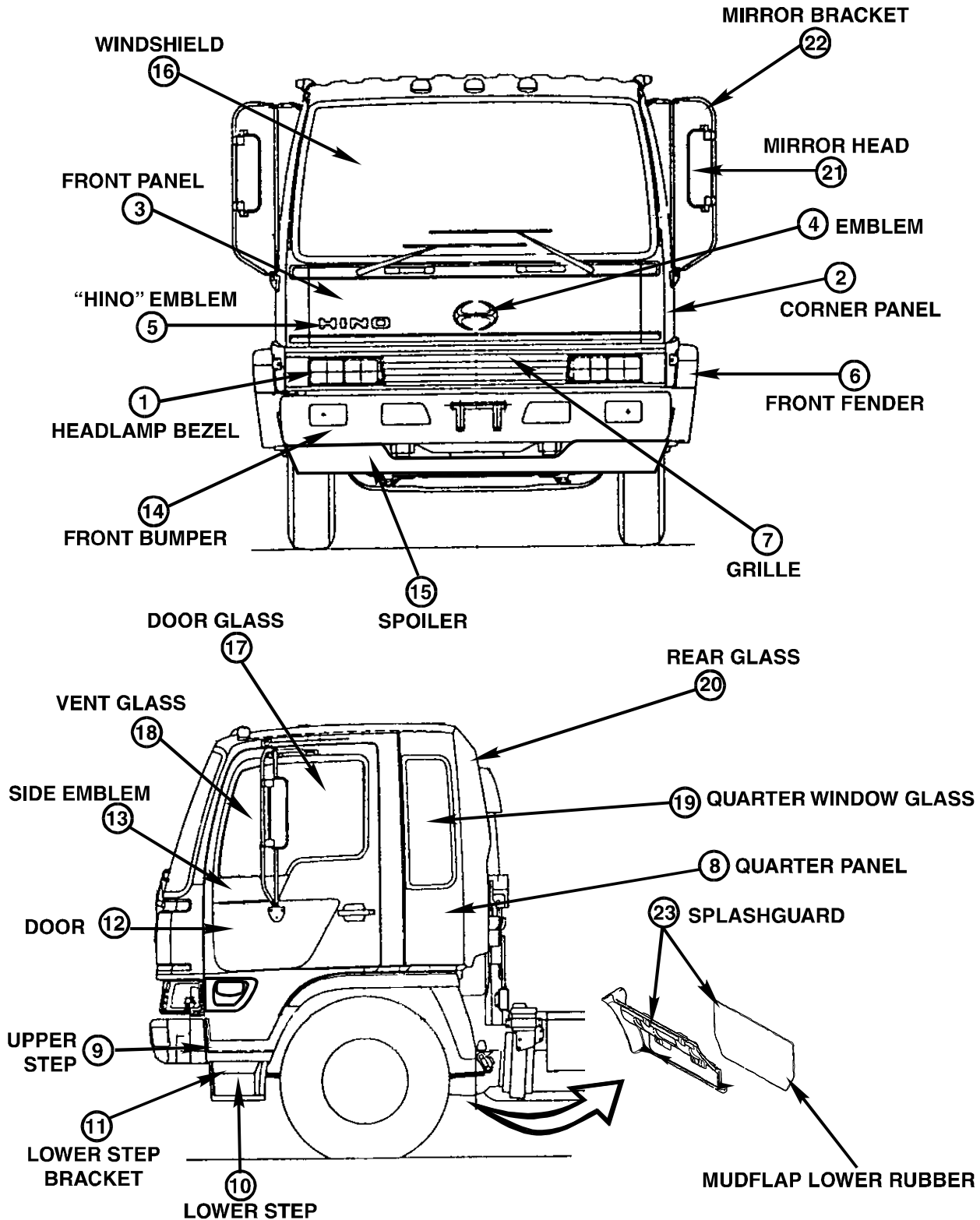
MODELS YEARS
 FD2220 (FD2J) 1998 - 2003
 FE2620 (FE2J) 1998 - 2003

| KEY | DESCRIPTION/APPLICATION | PART NUMBER |
|--------------------|---|-------------|
| DOOR MIRROR | | |
| 21 | Mirror Head (1998 - 1999) L/H | H2072100 |
| | (1998 - 1999) R/H | H2072000 |
| | (2000 - 2003) L/H | H2070500 |
| | (2000 - 2003) R/H | H2070400 |
| 22 | Bracket Upper Stay - Front | 879064950A |
| | - Rear L/H | 879064970A |
| | R/H | 879064960A |
| | Large Outer Stay (1 Per Side) | |
| | (1998 - 2001) | 879064741A |
| | (2002 - 2003) | 879067740A |
| | Vertical Stay Intermediate (1 Per Side) | |
| | (1998 - 2001) | 879065780A |
| (2002 - 2003) | 879065790A | |
| SPLASHGUARD | | |
| 23 | Splashguard L/H | 583524500A |
| | R/H | 583524411A |
| | Mudflap Lower Rubber - 1998 L/H | 762115090A |
| | - 1999 - 2003 L/H | 762112350A |
| | - FD2J R/H | 762111811A |
| | - FE2J R/H | 762112212A |

CAB AND LAMPS

CAB PANELS & TRIM, BUMPERS, GLASS, AND MIRRORS

| MODELS | YEARS |
|---------------|-------------|
| FF3020 (FF2J) | 1998 - 2003 |
| SG3320 (SG2J) | 1998 - 2003 |
| SG3325 (SG1J) | 1998 - 2003 |



CAB PANELS & TRIM, BUMPERS, GLASS, AND MIRRORS

MODELS YEARS
 FF3020 (FF2J) 1998 - 2003
 SG3320 (SG2J) 1998 - 2003
 SG3325 (SG1J) 1998 - 2003

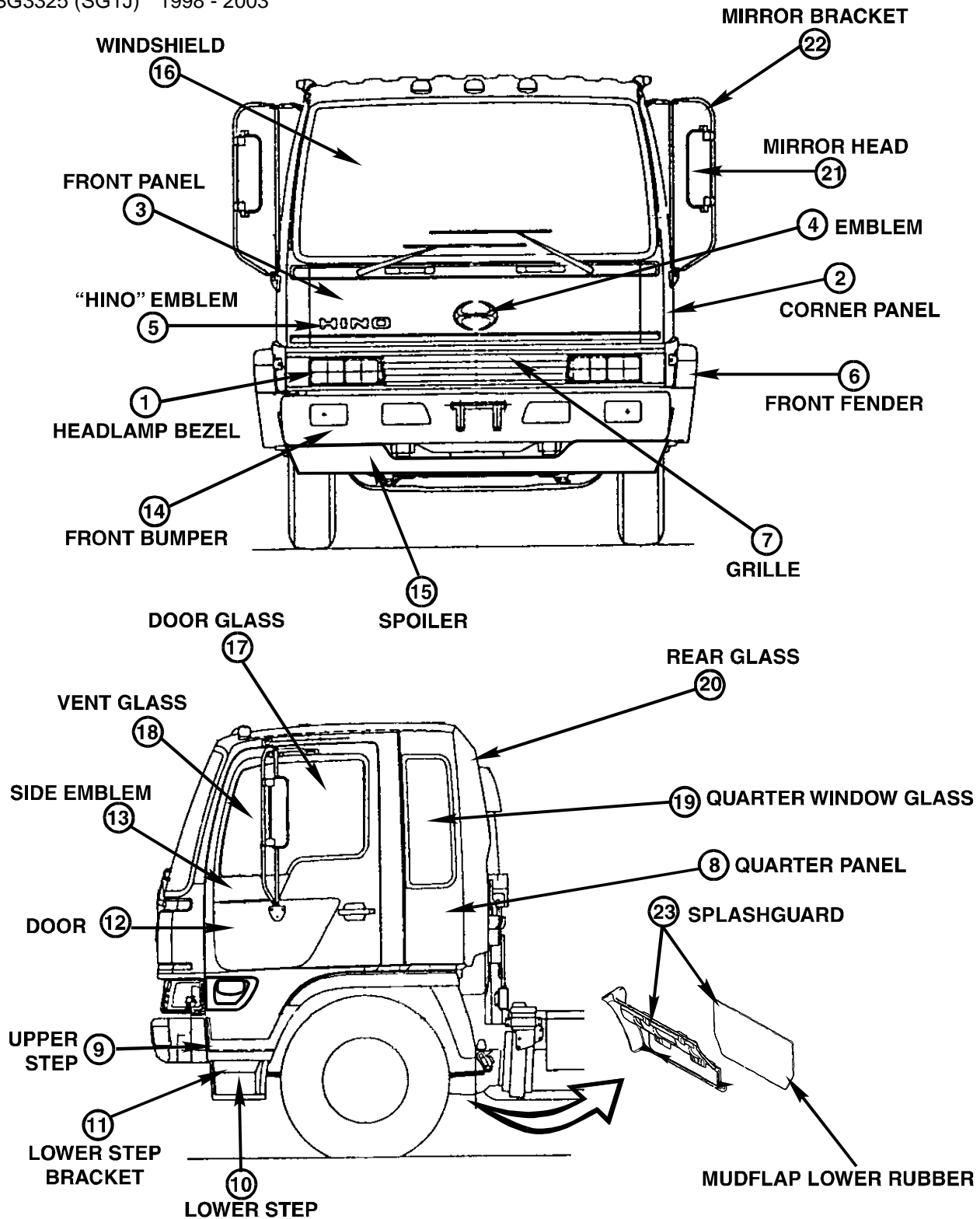
| KEY | DESCRIPTION/APPLICATION | PART NUMBER | | |
|--------------------------|---|----------------------------|----------------------------|----------------|
| PANELS & TRIM | | | | |
| 1 | Headlamp Bezels - Outer | (1998-2001) L/H 761081331A | | |
| | | (2002-2003) L/H 761081321A | | |
| | | (1998-2001) R/H 761071471A | | |
| | | (2002-2003) R/H 761071461A | | |
| | | Headlamp Bezels - Inner | (1998-2001) L/H 761121581A | |
| | | | (2002-2003) L/H 761121552A | |
| | (1998-2001) R/H 761111621A | | | |
| | (2002-2003) R/H 761111562A | | | |
| | 2 | | Corner panels | L/H 557031281A |
| | | | | R/H 557021621A |
| | | Stripe | L/H 765211500A | |
| | | | R/H 765211510A | |
| 3 | Front Panel | 557011910A | | |
| | | Stripe 765211490A | | |
| 4 | Emblem | 765311360A | | |
| 5 | 'HINO' Emblem | 765147560A | | |
| 6 | Fender Panels | L/H 537021670A | | |
| | | R/H 537011631A | | |
| 7 | Grille | (1998-2001) 763012431A | | |
| | | (2002-2003) 763013080A | | |
| 8 | Quarter Panels | L/H 610741732A | | |
| | | R/H 610731813A | | |
| 9 | Step, Upper, Plastic, White | L/H 583121480A | | |
| | | R/H 583111440A | | |
| | Cast Aluminum Plate, Lower Step L/H & R/H | 576621195A | | |
| 10 | Step, Lower, Plastic, White | L/H 583121441A | | |
| | | R/H 583111401A | | |
| | Cast Aluminum Plate, Step L/H & R/H | 576621201A | | |
| 11 | Step Bracket To Frame | L/H 510871920A | | |
| | | R/H 510871910A | | |
| 12 | Groomed Door Assy | (1998-1999) L/H 672004250A | | |
| | | (1998-1999) R/H 671004070A | | |
| | | (2000-2001) L/H 672005080A | | |

| KEY | DESCRIPTION/APPLICATION | PART NUMBER |
|----------------|---|------------------------------|
| 12 | Groomed Door Assy | (2002-2003) R/H 672005400A |
| | | (2000-2001) L/H 671005230A |
| | | (2002) R/H 671005550A |
| | | (2003) R/H 671005560A |
| | Door Shells | (1998 - 1999) L/H 670122300A |
| | | (1998 - 1999) R/H 670111962A |
| | | (2000 - 2001) L/H 670125321A |
| | | (2000 - 2001) R/H 670112225A |
| 13 | Side Door Emblem | FF 765147310A |
| | | SG 765147340A |
| | Blacking Plate | L/H 688021091A |
| | | R/H 688011140A |
| BUMPERS | | |
| 14 | Front Bumper | (1998 - 2001) 521015110A |
| | | (2002 - 2003) 521018480A |
| 15 | Spoiler | 521071550A |
| GLASS | | |
| 16 | Windshield - Weatherstrip, Windshield | 794115070A |
| | | 794135580A |
| 17 | Door Glass With Bottom Metal Channel | L/H 684601802A |
| | | R/H 684501482A |
| 18 | Vent Glass (Glass Only) | L/H 794611580A |
| | | R/H 794611570A |
| | Vent Glass With Trim | L/H 794601550A |
| | | R/H 794601560A |
| 19 | Quarter Window Glass | L/H 794411521A |
| | | R/H 794411531A |
| | - Weatherstrip | L/H 794431080A |
| | | R/H 794431090A |
| 20 | Rear Glass (Glass Only) - Weatherstrip | 794311291A |
| | | 794331230A |

CAB AND LAMPS

CAB PANELS & TRIM, BUMPERS, GLASS, AND MIRRORS

| MODELS | YEARS |
|---------------|-------------|
| FF3020 (FF2J) | 1998 - 2003 |
| SG3320 (SG2J) | 1998 - 2003 |
| SG3325 (SG1J) | 1998 - 2003 |



CAB PANELS & TRIM, BUMPERS, GLASS, AND MIRRORS

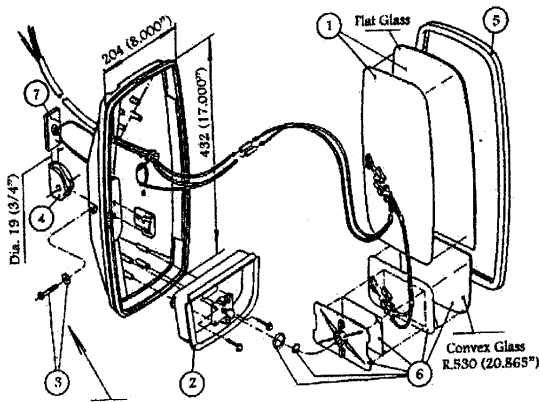
| MODELS | YEARS |
|---------------|--------------|
| FF3020 (FF2J) | 1998 - 2003 |
| SG3320 (SG2J) | 1998 - 2003 |
| SG3325 (SG1J) | 1998 - 2003 |

| KEY | DESCRIPTION/APPLICATION | PART NUMBER | |
|---|--------------------------------|--------------------|------------|
| DOOR MIRROR | | | |
| 21 | Mirror Head (1998 - 1999) L/H | H2072100 | |
| | (1998 - 1999) R/H | H2072000 | |
| | (2000 - 2003) L/H | H2070500 | |
| | (2000 - 2003) R/H | H2070400 | |
| 22 | Door Mirror Bracket | | |
| | Upper Stay - Front | 879064950A | |
| | - Rear L/H | 879064970A | |
| | R/H | 879064960A | |
| | Large Outer Stay (1 Per Side) | 879064731A | |
| Vertical Stay Intermediate (1 Per Side) | 879065780A | | |
| SPLASHGUARD | | | |
| 23 | Splashguard | L/H | 583521760A |
| | | R/H | 583524411A |
| | Mudflap Lower Rubber | L/H | 762114970A |
| | | R/H | 762112212A |

CAB PANELS & TRIM, BUMPERS, GLASS, AND MIRRORS

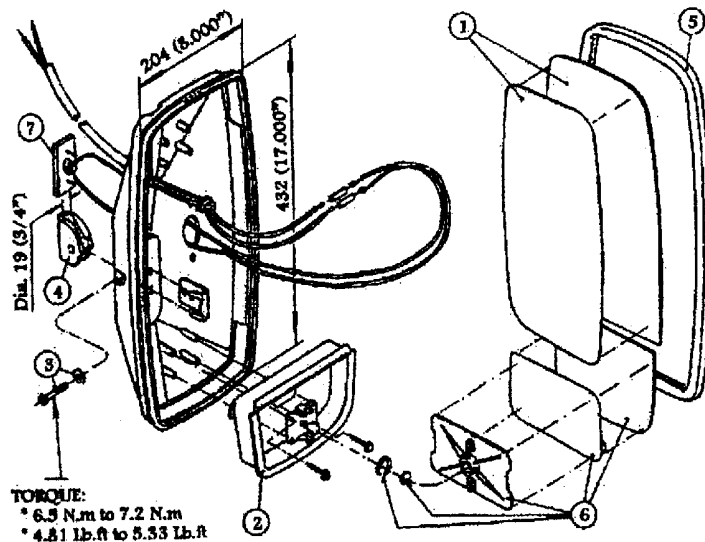
MIRROR REPLACEMENT PARTS

| Diag # | DESCRIPTION | PART NUMBER | MIRROR APPLICATION # | | | | | | | |
|--------|-----------------------------------|-------------|----------------------|---|---|---|---|---|---|---|
| | | | 1 | 2 | 3 | 4 | 5 | 6 | 7 | 8 |
| 1 | Flat Glass | H2051590 | | | X | X | | | X | X |
| 1 | Heated Flat Glass (Voltage 12V) | H207034612V | X | X | | | | X | X | |
| 2 | Convex Frame | H2051509 | X | X | X | X | X | X | X | X |
| 3 | Bolt Kit | H20719AA | X | X | X | X | X | X | X | X |
| 4 | 19mm or 3/4" Clamp | H201240219 | X | X | X | X | X | X | X | X |
| 5 | Moulding | H2051505 | X | X | X | X | X | X | X | X |
| 6 | Convex Glass | H2072123 | | | X | X | | | X | X |
| 6 | Heated Convex Glass (Voltage 12V) | H207074512V | X | X | | | | X | X | |
| 7 | Light ASSEMBLY (Voltage 12V) | H205391412V | | | X | X | X | X | | |



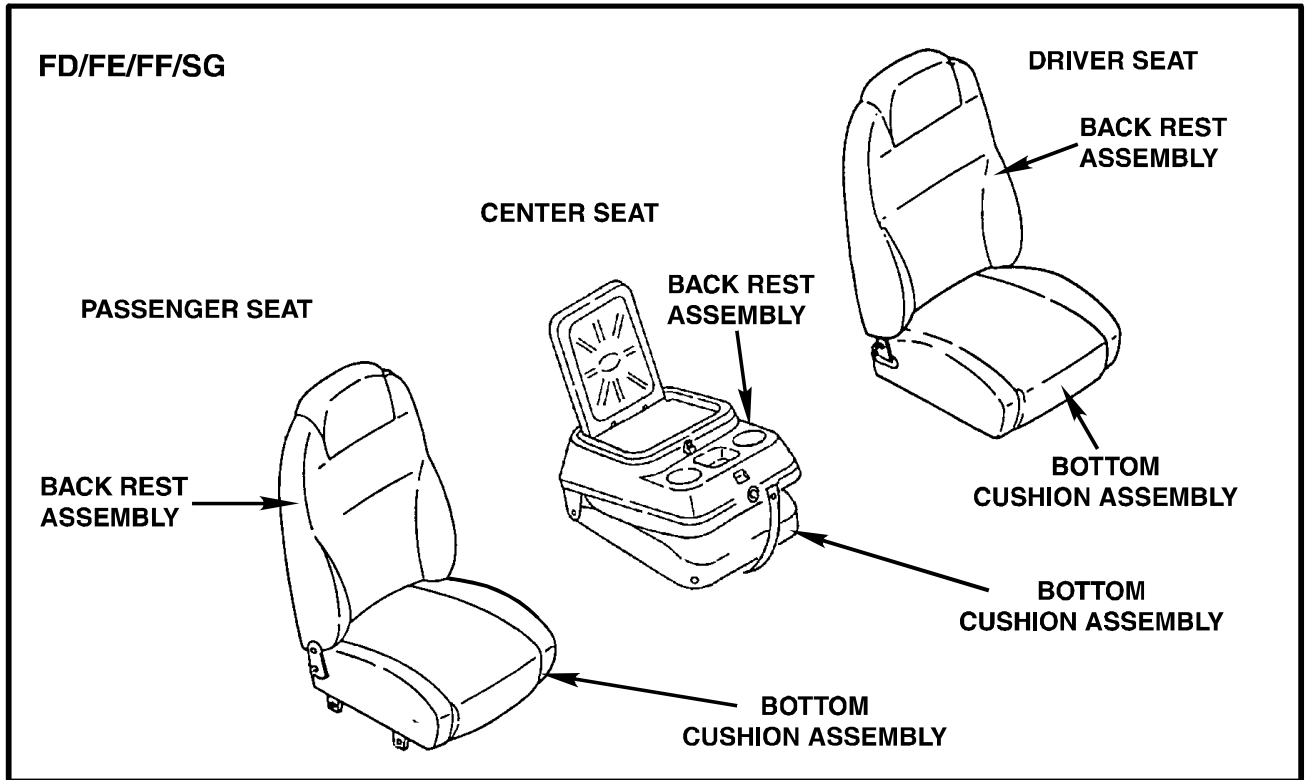
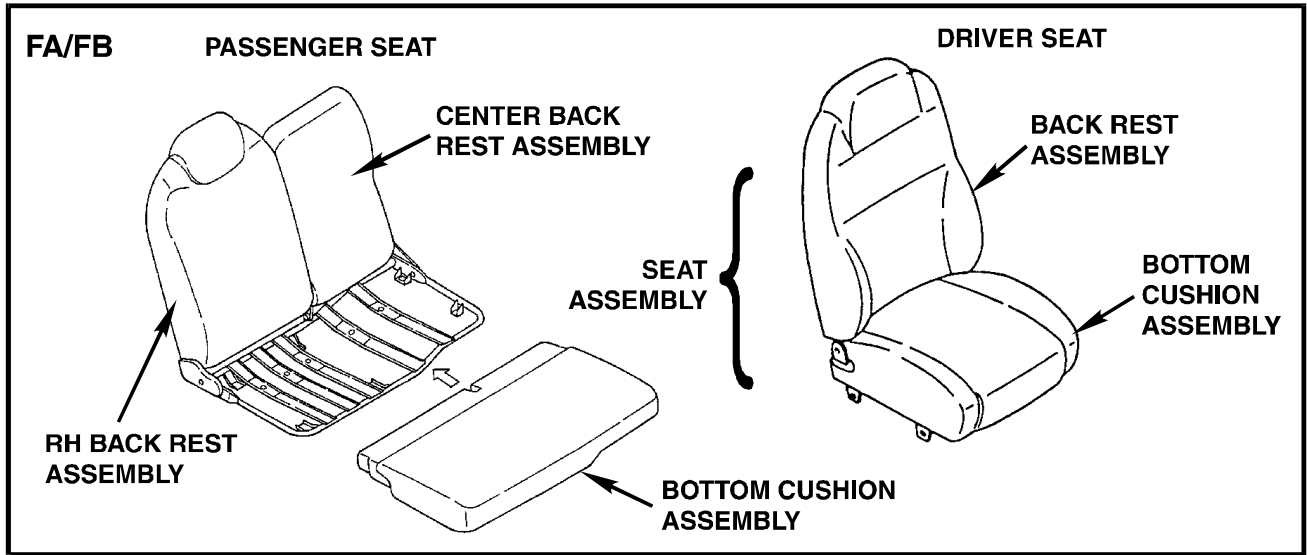
| KEY # | MIRROR ASSY # | SIDE | PART NUMBER |
|-------|---------------|------|------------------|
| 1 | H207020012V | R/H | HEATED |
| 2 | H207030012V | L/H | HEATED |
| 3 | H2070400 | R/H | LIGHTED |
| 4 | H2070500 | L/H | LIGHTED |
| 5 | H207060012V | R/H | HEATED & LIGHTED |
| 6 | H207070012V | L/H | HEATED & LIGHTED |
| 7 | H2072000 | R/H | STANDARD |
| 8 | H2072100 | L/H | STANDARD |

**For specific application, see "CAB PANELS & TRIM, BUMPERS, GLASS, AND MIRRORS" OR "ACCESSORIES" (for Heated Mirrors) sections of this Quick Reference.



NOTES

SEAT ASSEMBLIES



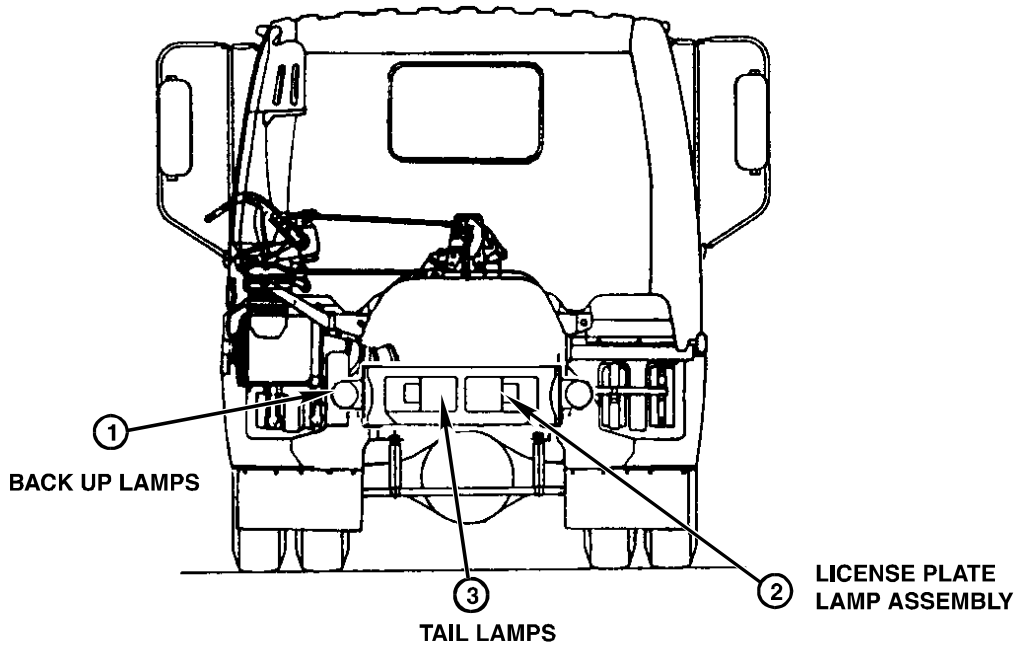
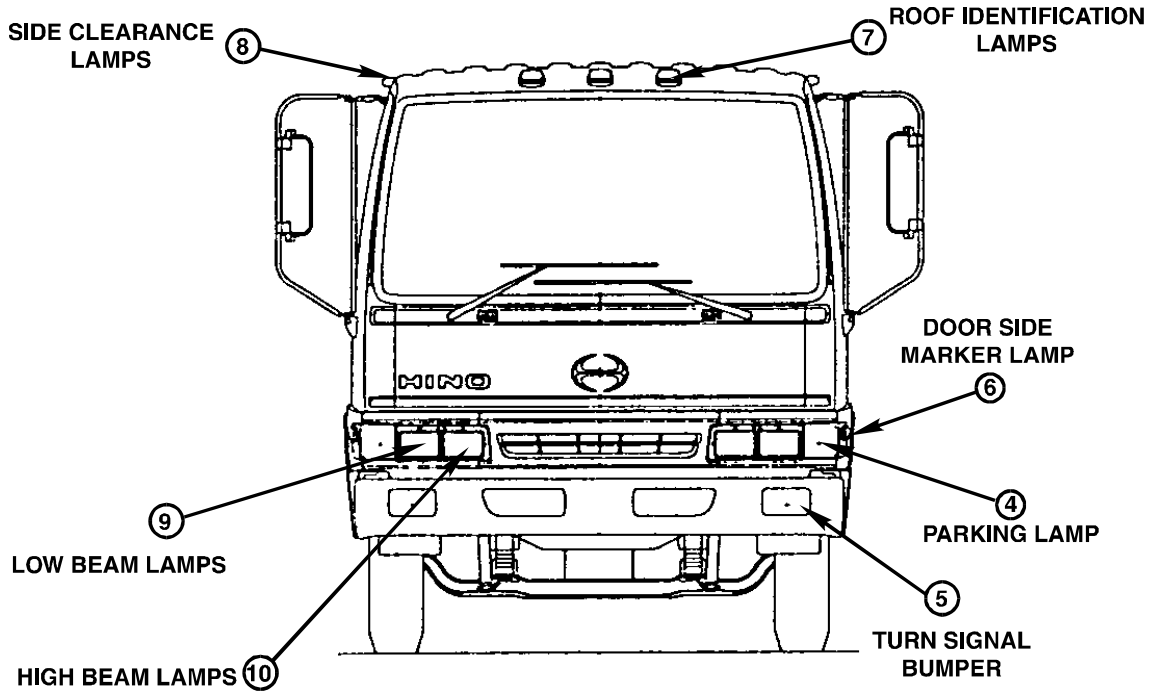
SEAT ASSEMBLIES, BOTTOM CUSHIONS, BACKRESTS (1998 - 2003)

| DESCRIPTION | PART NUMBER | APPLICATION |
|--------------------------------------|-----------------------------|-------------|
| DRIVER'S SIDE | | |
| Complete Seat Assembly | 712003053A | FA - Vinyl |
| | 712003032A | FB - Fabric |
| | 712003022A | FD/FE/FF/SG |
| Bottom Bottom And Back Rest Assembly | 711801751A | FA - Vinyl |
| | 711801760A | FB - Fabric |
| | 711801772A | FD/FE/FF/SG |
| Bottom Cushion | 711202310A | FA - Vinyl |
| | 711202320A | FB - Fabric |
| | 711041510A | FD/FE/FF/SG |
| Back Seat Assembly | 712202190A | FA - Vinyl |
| | 712202200A | FB - Fabric |
| | 712202150A | FD/FE/FF/SG |
| PASSENGER'S SEAT | | |
| Complete Seat Assembly | 711011262A | FA - Vinyl |
| | 711011271A | FB - Fabric |
| | 711701833A | FD/FE/FF/SG |
| Back Rest Assembly | R/H 712102150A | FA - Vinyl |
| | R/H 712102160A | FB - Fabric |
| | Center 712301700A | FA - Vinyl |
| | Center 712301710A | FB - Fabric |
| | 712102130A | FD/FE/FF/SG |
| Bottom Cushion | 711102302A | FA - Vinyl |
| | 711102311A | FB - Fabric |
| | 711041540A | FD/FE/FF/SG |
| CENTER SEAT ASSEMBLY | | |
| Complete Seat Assembly | 713001991A | FD/FE/FF/SG |
| Bottom Cushion Assembly | (1998 – 2001) 711301581A | FD/FE/FF/SG |
| | (2002 – 2003) 711301701a | FD/FE/FF/SG |
| Back Rest Assembly | 712301650A | FD/FE/FF/SG |

CAB AND LAMPS

LAMP ASSEMBLIES & LENS

MODELS YEARS
FA/FB 1998 - 2003



LAMP ASSEMBLIES & LENS

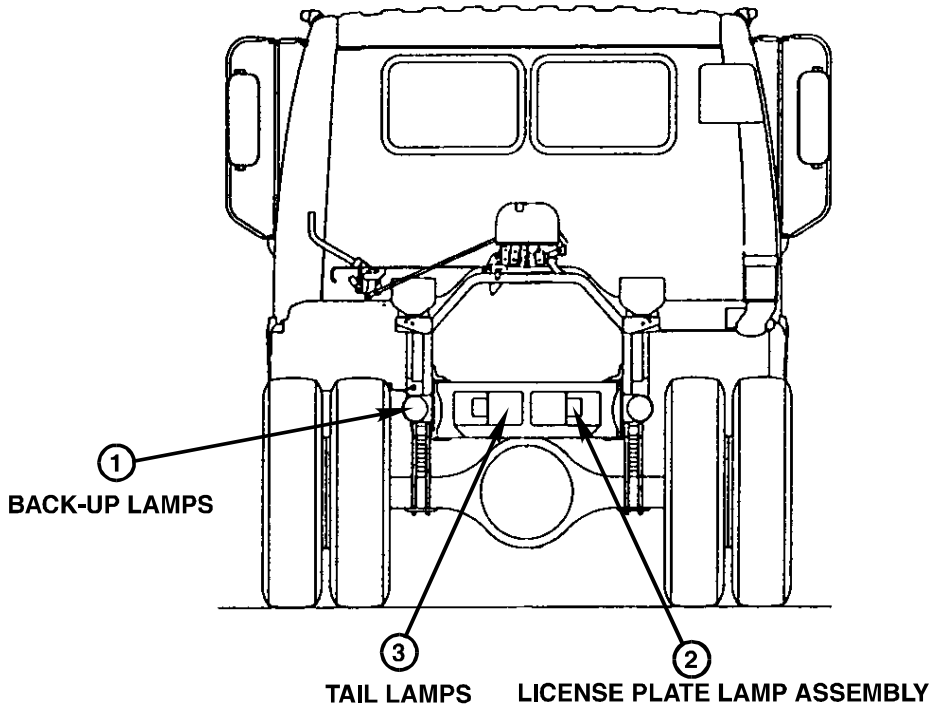
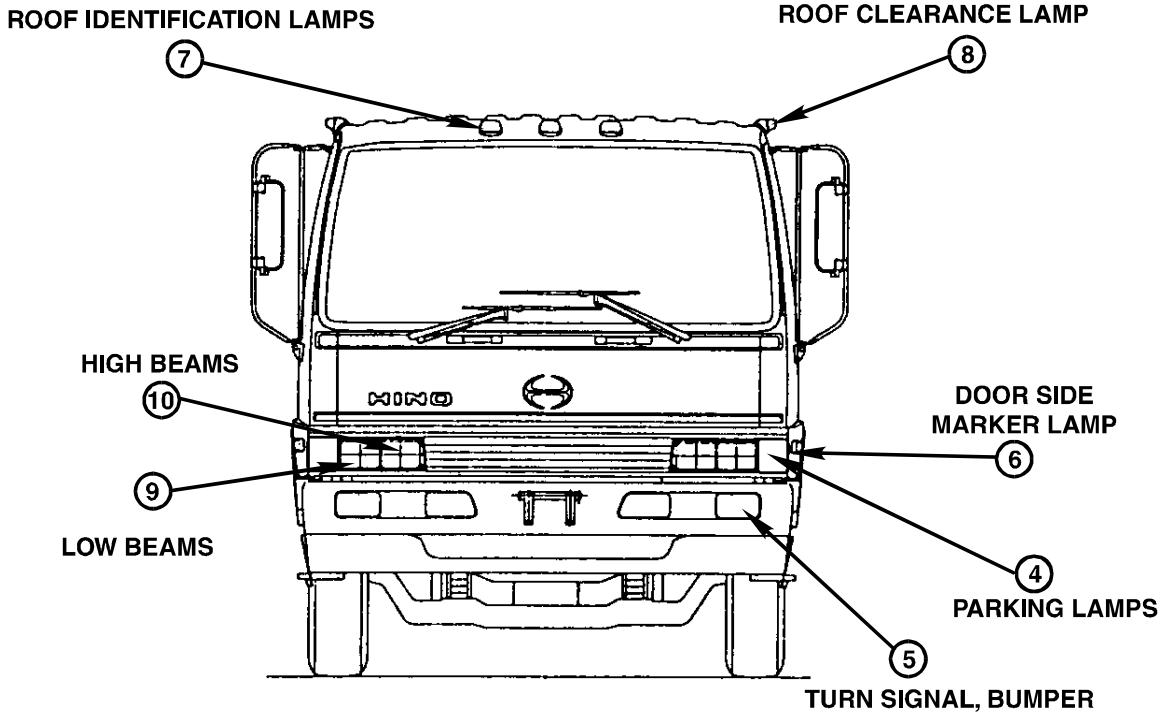
MODELS **YEARS**
 FA/FB 1998 - 2003

| KEY | DESCRIPTION/APPLICATION | LAMP ASSY | LENS | BULB |
|------------|--|------------------|--------------------------|-------------|
| 1 | Back-Up Lamps (1998) - L/H (1999 - 2003) - L/H (1998) - R/H (1999 - 2003) - R/H | 816801170A | 816711050A | 900834111A |
| | | 816801180A | 816711050A | 900834111A |
| | | 816701330A | 816711050A | 900834111A |
| | | 816701360A | 816711050A | 900834111A |
| 2 | License Plate Lamp Assy (1998) (1999 - 2003) | 812701321A | LENS: 812711081A | 900834110A |
| | | 812701351A | COVER 812781040A | |
| 3 | Tail Lamps (1998) - L/H (1999 - 2003) - L/H (1998) - R/H (1999 - 2003) - R/H | 815601491A | RED LENS: 815511031A | 900835102A |
| | | 815601531A | YELL LENS: 815611021A | 900834111A |
| | | 815501721A | RED LENS: 815511031A | 900835102A |
| | | 815501761A | YEL LENS: 815511041A | 900834111A |
| 4 | Parking Lamp - L/H - R/H | 818501110A | N/A | 900834118A |
| | | 818401100A | N/A | 900834118A |
| 5 | Turn Signal, Bumper - L/H - R/H | 815201840A | 815211192A | 900834111A |
| | | 815101970A | 815111302A | 900834111A |
| 6 | Door Side Marker - L/H | 817401061A | N/A | 900834108A |
| 7 | Roof Identification Lamp | 818201030A | N/A | 900837102A |
| 8 | Roof Clearance Lamp - L/H - R/H | 816201200A | N/A | 900837104A |
| | | 816101340A | N/A | 900837104A |
| 9 | Low Beams - L/H - R/H | 811502352A | N/A | 900824106A |
| | | 811102932A | N/A | 900824106A |
| 10 | High Beams - L/H - R/H | 811502341A | N/A | 900824105A |
| | | 811102921A | N/A | 900824105A |

CAB AND LAMPS

LAMP ASSEMBLIES & LENS

| MODELS | YEARS | MODELS | YEARS |
|--------|-------------|--------|-------------|
| FD | 1998 - 2003 | FF | 1998 - 2003 |
| FE | 1998 - 2003 | SG | 1998 - 2003 |



LAMP ASSEMBLIES & LENS

| MODELS | YEARS |
|---------------|--------------|
| FD | 1998 - 2003 |
| FE | 1998 - 2003 |
| FF | 1998 - 2003 |
| SG | 1998 - 2003 |

| KEY | DESCRIPTION/APPLICATION | LAMP ASSY | LENS | BULB |
|------------|--|------------------|--------------------------|-------------|
| 1 | Back-Up Lamps (1998) - L/H (1999 - 2003) - L/H (1998) - R/H (1999 - 2003) - R/H | 816801170A | 816711050A | 900834111A |
| | | 816801180A | 816711050A | 900834111A |
| | | 816701330A | 816711050A | 900834111A |
| | | 816701360A | 816711050A | 900834111A |
| 2 | License Plate Lamp Assy (1998) (1999 - 2003) | 812701321A | LENS: 812711081A | 900834110A |
| | | 812701351A | COVER 812781040A | |
| 3 | Tail Lamps (1998) - L/H (1999 - 2003) - L/H (1998) - R/H (1999 - 2003) - R/H | 815601491A | RED LENS: 815511031A | 900835102A |
| | | 815601531A | YELL LENS: 815611021A | 900834111A |
| | | 815501721A | RED LENS: 815511031A | 900835102A |
| | | 815501761A | YEL LENS: 815511041A | 900834111A |
| 4 | Parking Lamp - L/H - R/H | 818501110A | N/A | 900834118A |
| | | 818401100A | N/A | 900834118A |
| 5 | Turn Signal, Bumper - L/H - R/H | 815201840A | 815211192A | 900834111A |
| | | 815101970A | 815111302A | 900834111A |
| 6 | Door Side Marker - L/H | 817401061A | N/A | 900834108A |
| 7 | Roof Identification Lamp | 818201030A | N/A | 900837102A |
| 8 | Roof Clearance Lamp - L/H - R/H | 816201200A | N/A | 900837104A |
| | | 816101340A | N/A | 900837104A |
| 9 | Low Beams - L/H - R/H | 811502352A | N/A | 900824106A |
| | | 811102932A | N/A | 900824106A |
| 10 | High Beams - L/H - R/H | 811502341A | N/A | 900824105A |
| | | 811102921A | N/A | 900824105A |

CABLES

TRANSMISSION CONTROL SHIFT CABLES MANUAL TRANSMISSION

| DESCRIPTION | PART NUMBER | APPLICATION | YEAR |
|--|-------------|-------------|-------------|
| Trans. Control Shift Cables - Short - Long | 337022973A | FA/FB | 1998 - 2003 |
| | 337023184A | FA/FB | 1998 - 2003 |

ENGINE CONTROL AND SPEEDOMETER CABLES

| DESCRIPTION | PART NUMBER | LENGTH (Inches) | APPLICATION | YEAR |
|---|-------------|--------------------|-------------|-------------|
| Accelerator Cable | 780159911A | | FA/FB | 1998 - 2003 |
| | 780159852A | | FD/FE/FF/SG | 1998 - 2003 |
| Throttle Cable | 780171221A | | FA/FB | 1998 - 2003 |
| | 780171221A | | FA/FE/FF/SG | 1998 - 2003 |
| Engine Stop Cable | 780183532A | | FA/FB | 1998 - 2003 |
| | 780183504A | | FD/FE/FF/SG | 1998 - 2003 |
| Engine Stop Solenoid (Motor Assembly) | 285701221A | | ALL MODELS | 1998 - 2003 |
| Speedometer Cable, Complete - Manual Trans. | 837109720A | 151.6 | FA | 1998 - 2003 |
| | 837109720A | 151.6 | FB | 1998 - 1999 |
| | 837203421A | 171.3 | FB | 2000 - 2003 |
| Speedometer Cable, Cab To Chassis - Manual & Auto. Trans. - Auto. Trans. (Only) | 837109101A | 69.3 | FD/FE/FF/SG | 1998 - 2003 |
| | 837202761A | 49.2 | FA/FB | 1998 - 2003 |
| Speedometer Cable, Chassis - Manual Trans. - Auto. Trans. | 837201520A | 128.5 | FD/FE/FF | 1998 - 2003 |
| | 837201520A | 128.5 | SG | 1998 - 2003 |
| | 837202773A | 114.2 | FA/FB | 1998 - 2003 |
| | 837201850A | 143.7 | FD/FE/FF | 1998 - 2003 |
| | 837201860A | 143.7 | SG | 1998 - 2003 |

FRONT AND REAR SUSPENSION

| DESCRIPTION | PART NUMBER | APPLICATION | YEAR |
|--|--------------------|----------------------------|-------------|
| Shock Absorbers, Front | 485003091A | FA/ FB | 1998 - 2003 |
| | 485001801A | FD | 1998 - 2003 |
| | 485001941A | FE/FF/SG | 1998 - 2003 |
| Shock Absorber, Rear | 485302770A | FA/FB | 1998 - 2003 |
| | 485301880A | FD | 1998 - 2003 |
| | 485301900A | FE/FF | 1998 - 2003 |
| | 485301740A | SG | 1998 - 2003 |
| Front Spring Assemblies | 481206790A | FA | 1998 - 2003 |
| | 481207690A | FB | 1998 - 2003 |
| | 481201300A | FD | 1998 - 2003 |
| | 481204381A | FE | 1998 - 2003 |
| | 481202471A | FF | 1998 - 2003 |
| | 481202550A | SG1JM, SG2JK, SG2JM | 1998 - 2003 |
| | 481202561A | SG1JP, SG1JR, SG2JP, SG2JR | 1998 - 2003 |
| Rear Main Spring Assembly | 482306860A | FA | 1998 - 2003 |
| | 482306870A | FB | 1998 - 2003 |
| | 482305890A | FD | 1998 - 2003 |
| | 482306010A | FE/FF/SG | 1998 - 2003 |
| Complete Rear Spring Assembly (Includes both the helper and main spring) | 482205920A | FA | 1998 - 2003 |
| | 482205240A | FB | 1998 - 2003 |
| | 482202910A | FD | 1998 - 2003 |
| | 482203990A | FE | 1998 - 2003 |
| | 482203100A | FF/SG | 1998 - 2003 |
| King Pin Set (Covers 1 Side) | 040432030A | FA/FB | 1998 - 2003 |
| | 040432042A | FD | 1998 - 2003 |
| | 040432062A | FE/FF/SG | 1998 - 2003 |
| King Pin Set (Covers 2 Sides) | 040432032A | FD | 1998 - 2003 |
| | 040432028A | FE/FF/SG | 1998 - 2003 |

CHASSIS

STEERING

| DESCRIPTION | PART NUMBER | APPLICATION | YEAR |
|--|-------------|-------------|-------------|
| Power Steering Box Assembly | 441101742A | FA/FB/FD | 1998 - 2003 |
| | 441101501A | FE/FF/SG | 1998 - 2003 |
| Major Overhaul Repair Kit, Steering Box Assembly | 441991090A | FA/FB/FD | 1998 - 2003 |
| | 441991080A | FE/FF/SG | 1998 - 2003 |
| Minor Overhaul Repair Kit, Steering Box | 441091570A | FA/FB/FD | 1998 - 2003 |
| | 441091440A | FE/FF/SG | 1998 - 2003 |
| Power Steering Oil Pump Assembly | 443102242A | FA/FB | 1998 - 2003 |
| | 443102232A | FD/FE/FF/SG | 1998 - 2003 |
| Tie Rod End Assembly - L/H | 454301940A | FA/FB | 1998 - 2003 |
| | 454301880A | FD | 1998 - 2003 |
| | 454301611A | FE/FF/SG | 1998 - 2003 |
| Tie Rod End Assembly - R/H | 454201940A | FA/FB | 1998 - 2003 |
| | 454201880A | FD | 1998 - 2003 |
| | 454201611A | FE/FF/SG | 1998 - 2003 |
| Drag Link Assembly | 454408940A | FA/FB | 1998 - 2003 |
| | 454409150A | FD | 1998 - 2003 |
| | 454404241A | FE/FF/SG | 1998 - 2003 |

AXLES

| DESCRIPTION | PART NUMBER | APPLICATION | YEAR |
|-------------|-------------|-------------|-------------|
| Axle Shafts | 423114310A | FA/FB | 1998 - 2003 |
| | 423113660A | FD | 1998 - 2003 |
| | 423112760A | FE/FF/SG | 1998 - 2003 |

LUG NUTS, STUDS, & HUB BOLT KITS

| DESCRIPTION | PART NUMBER | APPLICATION | YEAR | |
|--------------------------|-------------|-------------|-------------|-------------|
| Hub Bolt Kit, Front Hub | - L/H | 040431072A | FA/FB | 1998 - 2003 |
| | | 040431081A | FD/FE/FF/SG | 1998 - 2003 |
| | - R/H | 040431073A | FA/FB | 1998 - 2003 |
| | | 040431080A | FD/FE/FF/SG | 1998 - 2003 |
| Hub Bolt Kit, Rear Hub | - L/H | 040421035A | ALL MODELS | 1998 - 2003 |
| | - R/H | 040421036A | ALL MODELS | 1998 - 2003 |
| Wheel Studs, Front | - L/H | 900426188A | FA/FB | 1998 - 2003 |
| | | 900426105A | FD/FE/FF/SG | 1998 - 2003 |
| | - R/H | 900425225A | FA/FB | 1998 - 2003 |
| | | 900425214A | FD/FE/FF/SG | 1998 - 2003 |
| Wheel Studs, Rear | - L/H | 900426184A | ALL MODELS | 1998 - 2003 |
| | - R/H | 900425213A | ALL MODELS | 1998 - 2003 |
| Wheel Stud Retaining Nut | - Front | 924922101A | ALL MODELS | 1998 - 2003 |
| | - Rear | 920920105A | ALL MODELS | 1998 - 2003 |
| Lug Nuts, Front | - L/H | 900422117A | ALL MODELS | 1998 - 2003 |
| | - R/H | 900421128A | ALL MODELS | 1998 - 2003 |
| Lug Nuts, Rear | - L/H | 900422104A | ALL MODELS | 1998 - 2003 |
| | - R/H | 900421112A | ALL MODELS | 1998 - 2003 |

Hub Bolt Kits Include: 1 Lug Nut; 1 Stud & Rear Nut
1 Inner Cap Nut (Rears Only)

REAR WHEEL INNER CAP NUTS

| DESCRIPTION | PART NUMBER | APPLICATION | YEAR | |
|---------------------------|-------------|-------------|------------|-------------|
| Rear Wheel Inner Cap Nuts | - L/H | 900424111A | ALL MODELS | 1998 - 2003 |
| | - R/H | 900423111A | ALL MODELS | 1998 - 2003 |

CHASSIS

WHEELS

| DESCRIPTION | RIM SIZE & SPECIFICATIONS | PART NUMBER | COMMON APPLICATION | YEAR |
|-------------|-----------------------------------|-------------|--------------------|-------------|
| Wheel | 16 X 6.0 1 PC 6 Lug | 426113061A | FA | 1998 - 2001 |
| | | 426114690A | FA | 2002 - 2003 |
| Wheel | 17.5 X 6 1 PC 6 Lug | 426114200A | FB | 1998 - 2001 |
| | | 26113791A | FB | 2002 - 2003 |
| Wheel | 22.5 X 6.75 1 PC 6 Lug | 426113031A | FD | 1998 - 2001 |
| | | 426114700A | FD | 2002 - 2003 |
| Wheel | 19.5 X 6.75 1 PC 6 Lug | 426113641A | FD Low Profile | 1998 - 2001 |
| | | 426113670A | FD Low Profile | 2002 - 2003 |
| Wheel | 22.5 X 7.5 1 PC 10 Lug | 426113652A | FE/FF/SG | 1998 - 2001 |
| | | 426114230A | FE/FF/SG | 2002 - 2003 |
| Wheel | 22.5 X 8.25 1 PC 10 Lug | 426113671A | FF/SG | 1998 - 2001 |
| | | 426113431A | FF/SG | 2002 - 2003 |

NOTE: Hino wheels have their size stamped on the center hub section of each wheel. It is important to know the wheel size and Hino model before determining which is the correct part number.

LUG NUT WRENCH

| APPLICATION/WHEEL | PART NUMBER | APPLICATION | YEAR |
|-------------------|-------------|-------------|-------------|
| Lug Nut Wrench | 098494107A | ALL MODELS | 1998 - 2003 |
| Torque Bar | 098492501A | ALL MODELS | 1998 - 2003 |

VALVE STEM FOR TUBELESS WHEELS

| APPLICATION/WHEEL | PART NUMBER | YEAR |
|---|-------------|-------------|
| FA - 16 X 6 - 1 PC Wheel | 479041550A | 1998 - 2003 |
| All Other Models - 17.5 X 6; 22.5 X 6.75; 22.5 X 7.5; 22.5 X 8.25 | 479041330A | 1998 - 2003 |

UNIVERSAL JOINT KITS

| DESCRIPTION | PART NUMBER | APPLICATION | YEAR |
|----------------------|-------------|-------------|-------------|
| Universal Joint Kits | 040374040A | FA/FB/FD | 1998 - 2003 |
| | 040374044A | FE/FF | 1998 - 2003 |
| | 040374030A | SG | 1998 - 2003 |

FEATURES

Replacement Hino universal joints are the same as original equipment used for production. Each kit includes all the necessary items for proper replacement.

EACH KIT INCLUDES:

- Spider assembly with needle bearing assemblies.
- Sets of washers, shims and retaining rings in various thicknesses for adjusting play (as necessary).
- All bolts, lock washers and grease fittings, as required.

CHASSIS**FRONT SPRING REPAIR - BUSHINGS, PINS & HARDWARE
(Quantity Shown Required Per Axle)**

| DESCRIPTION | FA/FB - ALL PART NUMBER | FD - ALL PART NUMBER | FE/FF/SG - ALL PART NUMBER | YEAR | |
|--|-------------------------|----------------------|----------------------------|----------------------------------|-------------|
| Spring Bushings | (4) 986725121A | (4) 986725121A | (4) 999312101A | 1998 - 2003 | |
| Pins - | Front Of Spring | (2) 484232430A | (2) 484232430A | (2) 484231561A | 1998 - 2003 |
| | Rear Of Spring | (4) 484231890A | (4) 484232050A | (4) 484231771A | 1998 - 2003 |
| Thrust Washers - | Front | N/A | (4) 926926102A | (2) 927122120A (4) 900485331A | 1998 - 2003 |
| | Rear | (4) 926926102A | (8) 926926102A | (8) 900485331A | 1998 - 2003 |
| Lock Washers / Plates - | Front | (2) 927918106A | (2) 927918106A | N/A | 1998 - 2003 |
| | Rear | N/A | (2) 493421070A | (2) 927922110A | 1998 - 2003 |
| Lock Nuts - | Front | (2) 921018090A | (2) 921918105A | (2) 921022100A | 1998 - 2003 |
| | Rear | N/A | (4) 921918105A | (4) 921922100A | 1998 - 2003 |
| Grease Fittings - | Front | (2) 980210102A | (2) 980210102A | (2) 980210102A | 1998 - 2003 |
| | Rear | (4) 980210100A | (4) 980210100A | (4) 980210102A | 1998 - 2003 |
| Bushings For Front Spring Rear Chassis Hanger Bracket | (2) 986725121A | (2) 986725121A | (2) 999312101A | 1998 - 2003 | |

**REAR SPRING REPAIR - BUSHINGS, PINS & HARDWARE
(Quantity Shown Required Per Axle)**

| DESCRIPTION | FA/FB - ALL PART NUMBER | FD - ALL PART NUMBER | FE/FF/SG - ALL PART NUMBER | YEAR |
|-------------------------|-------------------------|----------------------|----------------------------|-------------|
| Spring Bushings | (4) 986725121A | (4) 986730113A | (4) 999312101A | 1998 - 2001 |
| Pins (2 Front & 4 Rear) | (6) 484231890A | (6) 484231320A | (6) 484231790A | 1998 - 2001 |

CLUTCH & FLYWHEEL

CLUTCHES

| DESCRIPTION | PART NUMBER | APPLICATION | YEAR |
|--|-------------|----------------|-------------|
| Clutch Pack - Includes a Matched Spicer Clutch Set (Pressure Plate, Disc, Release Bearing & Pilot Bearing) | 31200H3214 | FA/FB/FD/FE/FF | 1998 - 2003 |
| Pressure Plate | 312102371A | SG | 1998 - 2003 |
| Clutch Disc | 312505082A | SG | 1998 - 2003 |
| Release Bearing | 312421141A | FA/FB/FD/FE/FF | 1998 - 2003 |
| | 312421210A | SG2J | 1999 - 2003 |
| | 312421060A | SG2J | 1998 |
| | | SG1J | 1998 - 2003 |
| Pilot Bearing (Bushing) | 988120119A | ALL MODELS | 1998 - 2003 |

CLUTCH RELEASE BEARING HUBS & FORKS

| DESCRIPTION | PART NUMBER | APPLICATION | YEAR |
|--|-------------|----------------|-------------|
| Hub For Clutch Release Bearing | 312311740A | FA/FB | 1998 - 2003 |
| | 312311671A | FD/FE/FF | 1999 - 2001 |
| | 312311740A | FD/FE/FF | 2002 - 2003 |
| | 312311061A | SG2J | 1998 |
| | | SG1J | 1998 - 2003 |
| Fork For Clutch Release Hub & Bearing | 312331360A | FA/FB/FD/FE/FF | 1998 - 2003 |
| | 312331370A | SG2J | 1999 - 2003 |
| | 312331180A | SG2J | 1998 |
| | | SG1J | 1998 - 2003 |
| Anti-Rattle Springs Fork To Hub (Quantity 2 Required) | 312341070A | FA/FB/FD/FE/FF | 1998 - 2003 |
| | 312341070A | SG2J | 1998 |
| | 312341080A | SG2J | 1999 - 2003 |
| | 312341080A | SG1J | 1998 - 2003 |

CLUTCH & FLYWHEEL

CLUTCH CYLINDERS AND REPAIR KITS

| DESCRIPTION | PART NUMBER | APPLICATION | YEAR |
|--|-------------|----------------|-------------|
| Master Cylinder | 314201700A | FA/FB/FD/FE/FF | 1998 - 2003 |
| | 314201630A | SG | 1998 - 2001 |
| | 314201720A | SG | 2002 - 2003 |
| Repair Kit - Master Cylinder | 040314027A | ALL MODELS | 1998 - 2001 |
| | 314204033A | ALL MODELS | 2002 - 2003 |
| Slave Cylinder | 314701171A | FA/FB/FD/FE/FF | 1998 - 2003 |
| | 314701191A | SG | 1998 - 2001 |
| | 322101681A | SG | 2002 - 2003 |
| Repair Kit - Slave Cylinder Major Repair Kit (Pistons & Seals) Minor Repair Kit (Seals only) | 040315018A | ALL MODELS | 1998 - 2003 |
| | 040315014A | ALL MODELS | 1998 - 2001 |
| | 322091200A | ALL MODELS | 2002 - 2003 |

FLYWHEELS (For Standard Transmissions)

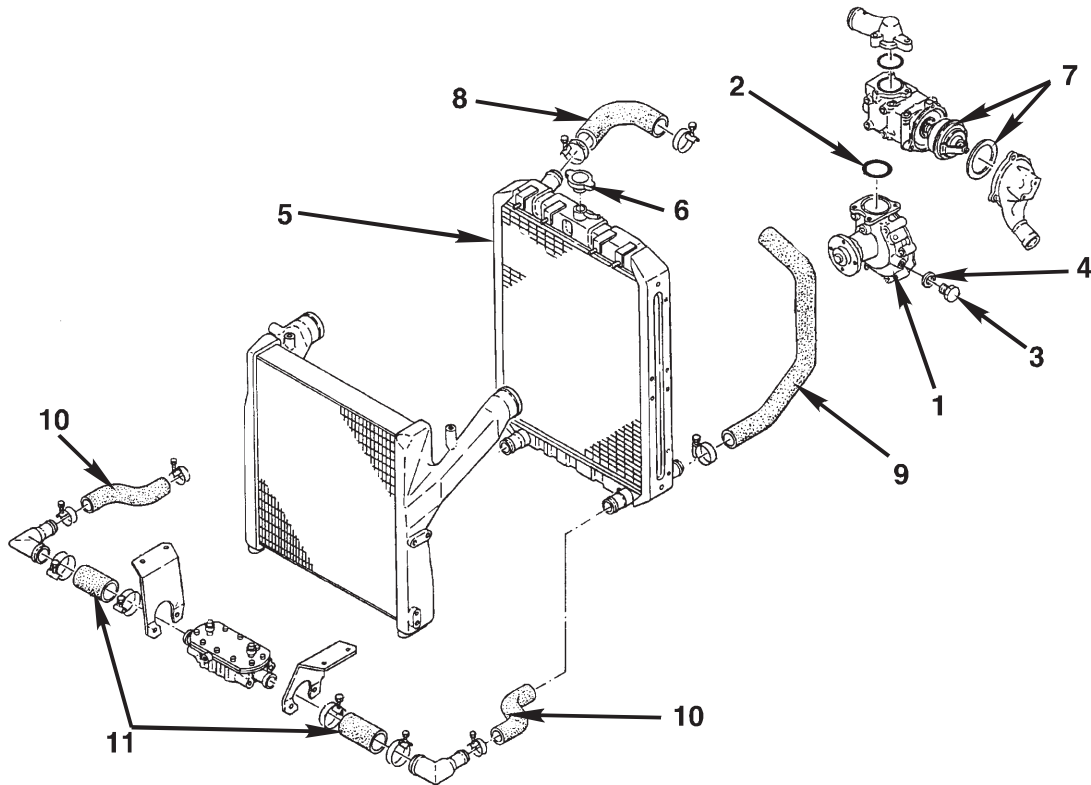
| DESCRIPTION | PART NUMBER | APPLICATION |
|-----------------------------|-------------|-------------|
| Flywheel - STD Transmission | 134503110A | FA/FB |
| Flywheel - STD Transmission | 134503092A | FD/FE/FF |
| Flywheel - STD Transmission | 134502830A | SG |

FLYWHEEL DOWEL PINS (Pressure Plate Alignment Dowels)

| DESCRIPTION | PART NUMBER | APPLICATION |
|-------------------|-------------|----------------|
| Pins (2 Required) | 950408240A | FA/FB/FD/FE/FF |
| Pins (2 Required) | 950410240A | SG |

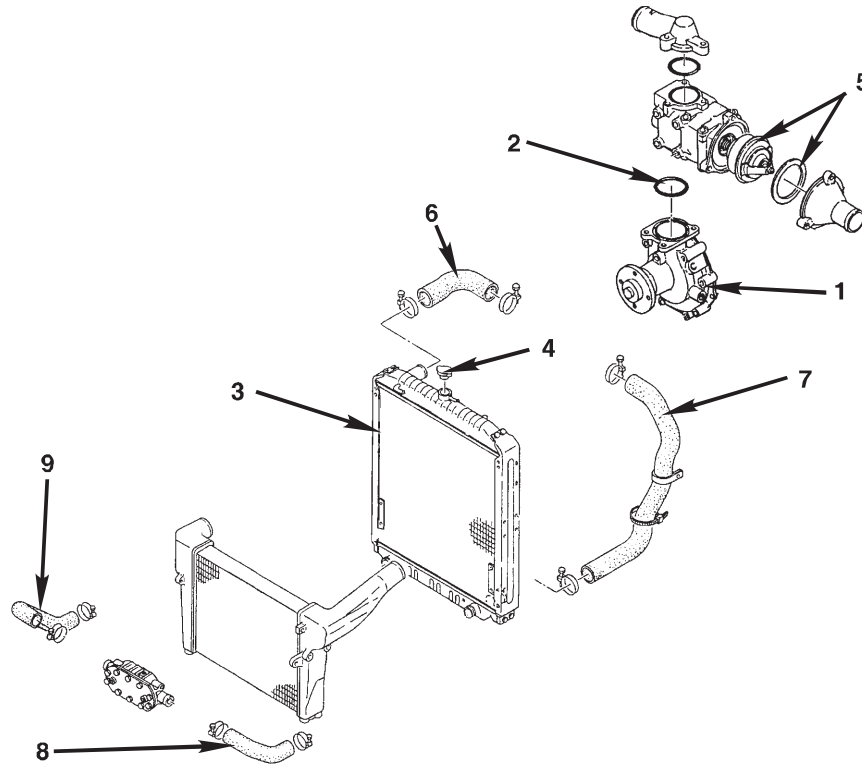
COOLING SYSTEM - FA/FB

COOLING SYSTEM - FA/FB



| KEY | DESCRIPTION | PART NUMBER | APPLICATION | YEAR |
|-----|--|-------------|-------------|-------------|
| 1 | Water Pump (Use silicone sealer P/N 041321217A) Water Pump Repair Kit (Seal, O-Ring, Silicone Bond) | 161003641A | FA/FB | 1998 - 2003 |
| | | 040161069A | FA/FB | 1998 - 2003 |
| 2 | O-Ring | 985160110A | FA/FB | 1998 - 2003 |
| 3 | Plug | 961916103A | FA/FB | 1998 - 2003 |
| 4 | Washer, Plug | 965916105A | FA/FB | 1998 - 2003 |
| 5 | Radiator (Includes Cap) Auto Trans Manual Trans | 160905513A | FA/FB | 1998 - 2003 |
| | | 160905523A | FA/FB | 1998 - 2003 |
| 6 | Radiator Cap | 164011341A | FA/FB | 1998 - 2003 |
| 7 | Thermostat Kit (Includes 82°C/180°F Thermostat & Thermostat Gasket) Thermostat Gasket | 040166046A | FA/FB | 1998 - 2003 |
| | | 163251320A | FA/FB | 1998 - 2003 |
| 8 | Hose, Radiator Upper | 900155219A | FA/FB | 1998 - 2003 |
| 9 | Hose, Radiator Lower | 900155187A | FA/FB | 1998 - 2003 |
| 10 | Hose, Radiator to Elbow (2 Required), Auto Trans | 900155191A | FA/FB | 1998 - 2003 |
| 11 | Hose, Elbow to Cooler (2 Required), Auto Trans | 900155245A | FA/FB | 1998 - 2003 |
| N/A | Drive Belt - Water Pump & Alternator Belt (Set) | 900149290A | FA/FB | 1998 - 2001 |
| | | 900149215A | FA/FB | 2002 - 2003 |

COOLING SYSTEM - FD/FE/FF/SG



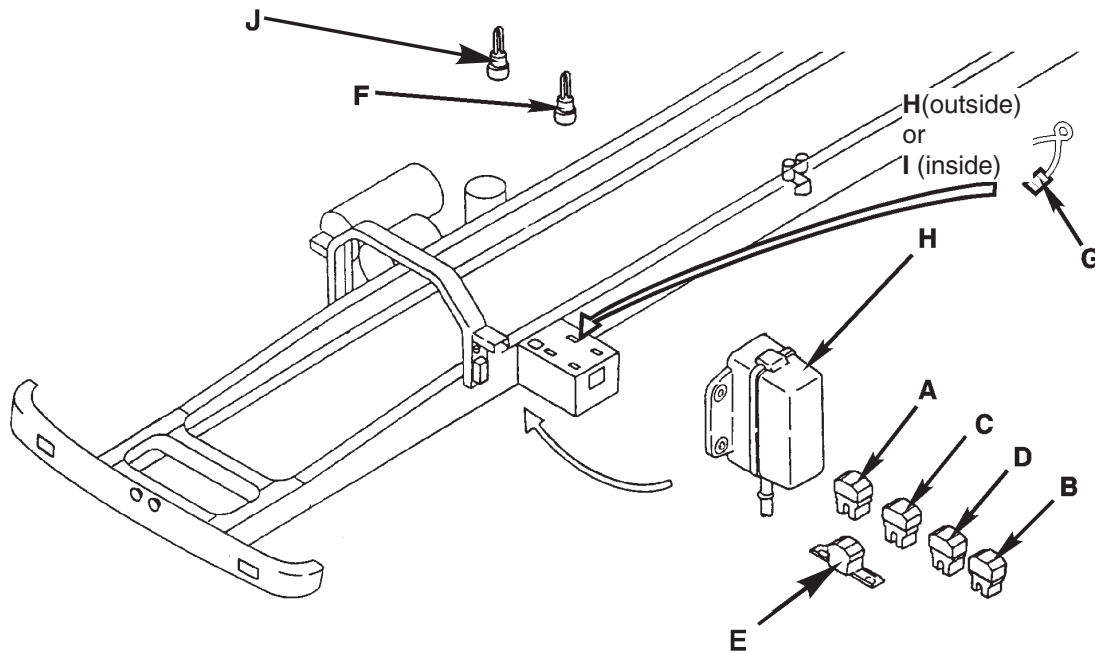
| KEY | DESCRIPTION | PART NUMBER | APPLICATION | YEAR | |
|-----|---|--------------|-------------|-------------|-------------|
| 1 | Water Pump (Use silicone sealer P/N 041321217) Water Pump Repair Kit (Seal, O-Ring, Silicone Bond) | 161003466A | FD/FE/FF/SG | 1998 - 2003 | |
| | | 040161069A | FD/FE/FF/SG | 1998 - 2003 | |
| 2 | O-Ring | 985160110A | FD/FE/FF/SG | 1998 - 2003 | |
| 3 | Radiator (Includes Cap) | Manual Trans | 160905462A | FD | 1998 - 2001 |
| | | Auto Trans | 160905474A | FD | 1998 - 2001 |
| | | Manual Trans | 160905601A | FE/FF/SG | 1998 - 2001 |
| | | Auto Trans | 160905612A | FE/FF/SG | 1998 - 2001 |
| 4 | Radiator Cap | 164011341A | FD/FE/FF/SG | 1998 - 2003 | |
| 5 | Thermostat Kit (Includes 82°C/180°F Thermostat & Thermostat Gasket) Thermostat Gasket | 040166046A | FD/FE/FF/SG | 1998 - 2003 | |
| | | 163251320A | FD/FE/FF/SG | 1998 - 2003 | |
| 6 | Hose, Radiator Upper | 900155243A | FD/FE/FF/SG | 1998 - 2001 | |
| | | 900155439A | FD/FE/FF/SG | 2001 - 2003 | |
| 7 | Hose, Radiator Lower | Auto Trans | 900155140A | FD/FE/FF/SG | 1998 - 2001 |
| | | Auto Trans | 900155623A | FD/FE/FF/SG | 2001 - 2003 |
| | | Manual Trans | 900155174A | FD/FE/FF/SG | 1998 - 2001 |
| | | Manual Trans | 900155624A | FD/FE/FF/SG | 2001 - 2003 |
| 8 | Hose, Radiator to Cooler, Auto Trans - LH | 900155198A | FD | 1998 - 2001 | |
| | | 900155620A | FD | 2001 - 2003 | |
| | | 900155186A | FE/FF/SG | 1998 - 2001 | |
| | | 900155415A | FE/FF/SG | 2001 - 2003 | |
| 9 | Hose, Radiator to Cooler, Auto Trans - RH | 900155199A | FD | 1998 - 2001 | |
| | | 900155621A | FD | 2001 - 2003 | |
| | | 900155185A | FE/FF/SG | 1998 - 2001 | |
| | | 900155414A | FE/FF/SG | 2001 - 2003 | |
| N/A | Drive Belt - Water Pump & Alternator Belt (Set) | 900149290A | FD/FE/FF/SG | 1998 - 2001 | |
| | | 900149215A | FD/FE/FF/SG | 2001 - 2003 | |

ELECTRICAL

STARTERS & ALTERNATORS

| DESCRIPTION | PART NUMBER | APPLICATION | YEAR |
|--|-------------|-------------|-------------|
| Starter (Remanufactured Only) | 281002541R | FA/FB | 1998 - 2003 |
| | 281002521R | FD/FE/FF | 1998 - 2003 |
| | 281002510R | SG | 1998 |
| | 281002521R | SG | 1999 - 2003 |
| Alternator (Remanufactured Only) | 270401970R | ALL MODELS | 1998 - 2001 |
| Alternator (Remanufactured Only) | 270402300R | ALL MODELS | 2002 - 2003 |
| Drive Belt - Alternator & Water Pump (Set) | 900149290A | ALL MODELS | 1998 - 2001 |
| Drive Belt - Alternator & Water Pump (Set) | 900149215A | ALL MODELS | 2002 - 2003 |

FUSIBLE LINKS AND COVER (TYPICAL INSTALLATIONS)



| KEY | DESCRIPTION | PART NUMBER | APPLICATION | YEAR |
|-----|---|-------------|-------------|-------------|
| A | 30 Amp / Pink Plug | 900858127A | ALL MODELS | 1998 - 2003 |
| B | Green Plug / 40 Amp (No Wire) (Old)/ Upgraded to 60 Amp | 900858129A | ALL MODELS | 1998 - 2003 |
| C | 50 Amp / Red Plug (No Wire) | 900858128A | ALL MODELS | 1998 - 2003 |
| D | 60 Amp / Green Plug | 900858129A | ALL MODELS | 1998 - 2003 |
| E | 100 Amp / Blue Plug (No Wire) | 900858133A | ALL MODELS | 1998 - 2003 |
| F | Round Green Plug / Red Wire | 900858114A | ALL MODELS | 1998 - 2003 |
| G | 2 White Plugs / 2 Blue Wires | 900858121A | ALL MODELS | 1998 - 2003 |
| H | Cover (Outside) | 826261171A | ALL MODELS | 1998 - 2003 |
| I | Cover (Inside) | 826261240A | ALL MODELS | 2000 - 2001 |
| | | 826261310A | ALL MODELS | 2002 - 2003 |
| J | 24 Amp / White round Plug / Green Wire | 900857113A | ALL MODELS | 1998 - 2003 |

ELECTRICAL**BATTERY BOX COVERS**

| DESCRIPTION | PARTNUMBER | APPLICATION | YEAR |
|-------------------------------|------------|-------------|-------------|
| Battery Box Cover, Metal Type | 767011690A | ALL | 1998 - 2003 |

ELECTRICAL HORNS

| DESCRIPTION | PART NUMBER | APPLICATION | YEAR |
|----------------|-------------|-------------|-------------|
| High Note Horn | 865101150A | ALL | 1998 - 2003 |
| Low Note Horn | 865201160A | ALL | 1998 - 2003 |

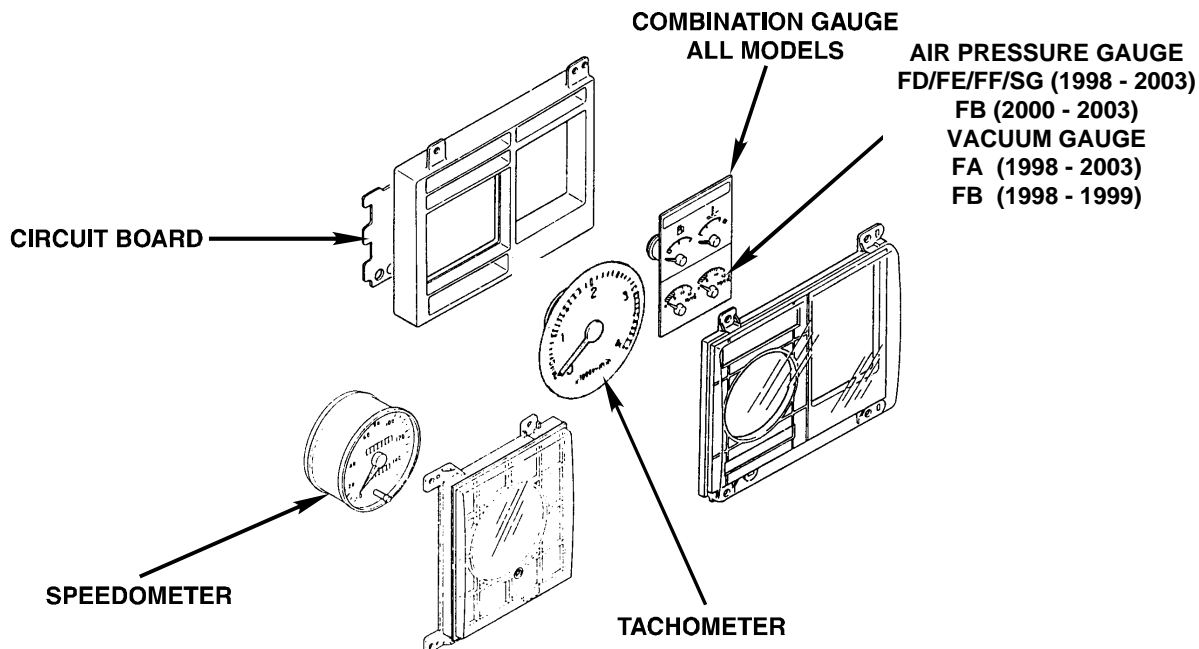
RELAY & FLASHER ASSEMBLIES

| DESCRIPTION | PART NUMBER | RELAY MARKINGS | APPLICATION | YEAR |
|---|-------------|----------------|-------------|-------------|
| Power Relay for Headlights & Tail Lamps | 859202170A | ND0568001200A | ALL | 1998 - 2003 |
| Wiper Relay | 859401090A | ASMO 66100680A | ALL | 1998 - 2003 |
| Stop Lamp Relay | 859202191A | 0857003610A | ALL | 1998 - 2003 |
| ON/OFF Switch Relay | 859202160A | ND0568001180A | ALL | 1998 - 2003 |
| P.L. Cut Relay | 859201420A | ND0567006850A | ALL | 1998 - 2003 |
| Start Relay | 283001180A | ND1828002620A | ALL | 1998 - 2003 |
| Air Intake Heater Relay (For Glow Plug) | 286201370A | ND1828002010A | ALL | 1998 - 2003 |
| Flasher, Turn Signal/Hazard | 819801430A | ND0665001810A | ALL | 1998 - 2003 |

ENGINE ELECTRICAL**Water Temperature Sender, Oil Pressure Switch, Glow Plugs**

| DESCRIPTION | PART NUMBER | APPLICATION | YEAR |
|--------------------------------------|-------------|-------------|-------------|
| Water Temperature Sensor for the ECU | 894301070A | ALL | 1998 - 2003 |
| Water Temperature Sender For Gauge | 834201060A | ALL | 1998 |
| | 834201240A | ALL | 1999 - 2003 |
| Oil Pressure Switch | 835301300A | ALL | 1998 - 2003 |
| Glow Plugs | 191101240A | ALL | 1998 - 2003 |

INSTRUMENTS AND GAUGES



| DESCRIPTION | PART NUMBER | APPLICATION | YEAR |
|----------------------------------|-------------|--------------------------------|-------------|
| Speedometer | 831102000A | ALL MODELS | 1998 - 2003 |
| Complete Meter Assembly | 832002371A | FA | 1998 - 2003 |
| | 832001811A | FA/FB With Optional Tachometer | 1998 |
| | 832002391A | FA With Optional Tachometer | 1999 - 2003 |
| | 832002960A | FB | 2000 - 2003 |
| | 832002970A | FB With Optional Tachometer | 2000 - 2003 |
| | 832002320A | FD/FE/FF | 1998 - 1999 |
| | 832003070A | FD/FE/FF | 2000 - 2003 |
| | 832002441A | SG | 1998 - 2003 |
| Circuit Board | 831022550A | FA/SG | 1998 - 2003 |
| | 831022550A | FB | 1998 - 1999 |
| | 831022230A | FA/FB With Optional Tachometer | 1998 |
| | 831022470A | FA With Optional Tachometer | 1999 - 2003 |
| | 831022470A | FB With Optional Tachometer | 1999 |
| | 831022410A | FB With Optional Tachometer | 2000 - 2003 |
| | 831022410A | FD/FE/FF | 1998 - 2003 |
| Combination Gauge (Fuel & Temp.) | 834001900A | ALL MODELS | 1998 - 2003 |
| Air Pressure Gauge | 834902400A | FD/FE/FF | 1998 - 1999 |
| | 834902410A | FB/FD/FE/FF | 2000 - 2003 |
| | 834902410A | SG | 1998 - 2003 |
| Vacuum Gauge | 834902420A | FA | 1998 - 2003 |
| | 834902320A | FA With Optional Tachometer | 1998 - 2003 |
| | 834902420A | FB | 1998 - 1999 |
| | 834902320A | FB With Optional Tachometer | 1998 - 1999 |
| Tachometer | 832704420A | FA/FB Optional Equipment | 1998 |
| | 832704650A | FA/FB Optional Equipment | 1999 - 2003 |
| | 832704640A | FD/FE/FF/SG | 1998 - 2003 |

ELECTRICAL SWITCHES

| DESCRIPTION | PART NUMBER | APPLICATION | YEAR |
|--|-------------|-------------|-------------|
| Stop Light Switch | 843401010A | FA | 1998 - 2003 |
| | 843401010A | FB | 1998 - 1999 |
| | 833801480A | FB | 2000 - 2003 |
| | 833801480A | FD/FE/FF/SG | 1998 - 2003 |
| Warm-Up Switch (Cold Start) | 842802700A | ALL MODELS | 1998 - 1999 |
| Dash Lights (Dimmer) Switch | 841101350A | ALL MODELS | 1998 - 2003 |
| Exhaust Brake Control Switch - Clutch Pedal Control Switch | 843801110A | ALL MODELS | 1998 |
| | 843801950A | ALL MODELS | 1999 - 2003 |
| Exhaust Brake Control Switch - Accelerator Pedal Control Switch | 843801640A | ALL MODELS | 1998 - 2003 |
| Cab Lock Indicator Switch | 843801570A | ALL MODELS | 1998 - 2003 |
| Heated Mirror Switch (Optional) | 842803020A | ALL MODELS | 2000 - 2003 |

STEERING COLUMN COMBINATION SWITCH
Headlamps, Directional, High Beams, Wipers
Hazard & Exhaust Brake (If So Equipped)

| DESCRIPTION | PART NUMBER | APPLICATION | YEAR | |
|---|-----------------|-------------|-------------|-------------|
| Complete Steering Column Switch Assy. | - Manual Trans. | 840402402A | FA/FB | 1998 - 2003 |
| | - Manual Trans. | 840402292A | FD/FE/FF/SG | 1998 - 2003 |
| | - Auto. Trans. | 840402412A | FA/FB | 1998 - 2003 |
| | - Auto. Trans. | 840402312A | FD/FE/FF/SG | 1998 - 2003 |
| L/H Side - Headlamp & Directional Switch | | 840111292A | FA/FB | 1998 - 2003 |
| | | 840111113A | FD/FE/FF/SG | 1998 - 2003 |
| R/H Side - Wiper, Hazard, Exhaust Brake Switch | - Manual Trans. | 840311502A | FA/FB | 1998 - 2003 |
| | - Manual Trans. | 840311452A | FD/FE/FF/SG | 1998 - 2003 |
| | - *Auto. Trans. | 840311511A | FA/FB | 1998 - 2003 |
| | - *Auto. Trans. | 840311461A | FD/FE/FF/SG | 1998 - 2003 |

* Switch for Auto. Trans. does not have Exhaust Brake feature.

IGNITION SWITCH & KEY BLANKS

| DESCRIPTION | PART NUMBER | APPLICATION | YEAR |
|--------------------------|-------------|-------------|-------------|
| Ignition Switch Assembly | 845102131A | ALL MODELS | 1998 - 2003 |
| Key Blanks | 845121890A | ALL MODELS | 1998 - 2003 |

COMPLETE LOCK SETS & DOOR KEY WITH TUMBLERS
(Complete lock sets include: ignition switch tumbler and key only
with matching door keys with tumblers)

| DESCRIPTION | PART NUMBER | APPLICATION | YEAR |
|----------------------------------|-------------|-------------|-------------|
| Complete Lock Set | 696102910A | ALL MODELS | 1998 - 2003 |
| L/H Door lock - Key With Tumbler | 696102880A | ALL MODELS | 1998 - 2003 |
| R/H Door Lock - Key With Tumbler | 696102890A | ALL MODELS | 1998 - 2003 |

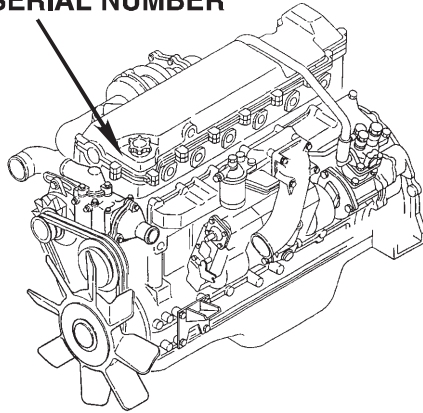
ENGINE

ENGINE SERIES IDENTIFICATION

The engine model code can be found on the valve cover. The engine serial number can be found on the left side of the engine block as shown.

| MODELS | MODEL YEARS | ENGINE MODEL |
|------------|--------------------|------------------------------|
| FA/FB4J | 1998 / 1999 - 2003 | J05C-TB (165HP) / TD (168HP) |
| FD/FE/FF2J | 1998 / 1999 - 2003 | J08C-TD (200HP) / TP (200HP) |
| SG1J | 1998 / 1999 - 2003 | J08C-TE (200HP) / TR (252HP) |

ENGINE SERIAL NUMBER



PISTON LINERS (1998 - 2003)

NOTE: Determine which liners "A", "B", or "C" are required by checking the identification marks on the engine block. Please refer to the HINO service manuals for further information.

| DESCRIPTION | PART NUMBER | APPLICATION | ENGINE SERIAL # |
|------------------|-------------|-------------|-----------------|
| Piston Liner "A" | 114672601A | ALL MODELS | ALL |
| Piston Liner "B" | 114672611A | ALL MODELS | ALL |
| Piston Liner "C" | 114672621A | ALL MODELS | ALL |

PISTON AND LINER KITS (1998 - 2003)

NOTE: Each kit includes: 1 piston, 1 liner, rings, piston pin, pin snap rings & 1 con rod

| DESCRIPTION | PART NUMBER | APPLICATION | ENGINE SERIAL # |
|-----------------------------------|-------------|-------------|--|
| For 1 cylinder with liner code: A | 040131413A | FA/FB | UP TO J05C - TD 11606 |
| For 1 cylinder with liner code: B | 040131414A | | |
| For 1 cylinder with liner code: C | 040131415A | | |
| For 1 cylinder with liner code: A | 040131476A | FA/FB | FROM J05C - TD 11607 |
| For 1 cylinder with liner code: B | 040131477A | | |
| For 1 cylinder with liner code: C | 040131478A | | |
| For 1 cylinder with liner code: A | 040131440A | FD/FE/FF/SG | UP TO J08C - TP 11540 J08C - TR 102445 |
| For 1 cylinder with liner code: B | 040131439A | | |
| For 1 cylinder with liner code: C | 040131438A | | |
| For 1 cylinder with liner code: A | 040131479A | FD/FE/FF/SG | FROM J08C - TP 11541 J08C - TR 102446 |
| For 1 cylinder with liner code: B | 040131480A | | |
| For 1 cylinder with liner code: C | 040131481A | | |

**PISTON, PISTON RING SETS, WRIST PINS, SNAP RINGS, WRIST PIN KITS
& CONNECTING ROD BEARING SETS (1998 - 2003)**

| DESCRIPTION | PART NUMBER | APPLICATION | ENGINE SERIAL # |
|---|-------------|-------------|-----------------|
| Piston - Without Wrist Pin | 133061030A | ALL MODELS | *C |
| | 133061080A | ALL MODELS | *Z |
| Piston Ring Set - 1 per engine | 130113401A | FA/FB | *A |
| | 130113600A | FA/FB | *X |
| | 130112962A | FD/FE/FF/SG | *B |
| | 130113570A | FD/FE/FF/SG | *Y |
| Single Piston Ring Set (One per piston) | 13011H1341 | FA/FB | *A |
| | 13011H1342 | FA/FB | *X |
| | 13011H1311 | FD/FE/FF/SG | *B |
| | 13011H1312 | FD/FE/FF/SG | *Y |
| Wrist Pin | 132511360A | ALL MODELS | ALL J - SERIES |
| Wrist Pin Kit - For 1 Cylinder | 040132048A | ALL MODELS | ALL J - SERIES |
| Includes: Wrist pin, 2 snap rings and 1 con rod bushing Snap Rings, Wrist Pin | 981943112A | ALL MODELS | ALL J - SERIES |
| Connecting Rod Bearing Set (Std Size) | 132011800A | FA/FB | ALL J - SERIES |
| | 132011761A | FD/FE/FF/SG | ALL J - SERIES |

*A - UP TO J05C - TD 11606, ALL J05C-TB
 *B - UP TO J08C - TP 11540, ALL J08C-TD
 UP TO J08C - TR 10245, ALL J08C-TE
 *C - Both *A and *B APPLY

*X - FROM J05C - TD 11607
 *Y - FROM J08C - TP 11541
 FROM J08C - TR 10246
 *Z - Both *X and *Y APPLY

ENGINE

MAIN BEARINGS & THRUST WASHERS

| DESCRIPTION | PART NUMBER | APPLICATION | YEAR |
|--------------------------------|-------------|-------------|-------------|
| Main Bearing Set (Std Size) | 117012310A | FA/FB | 1998 - 2003 |
| | 117012140A | FD/FE/FF/SG | 1998 - 2003 |
| Thrust Washer Set (Std Size) | 110111380A | ALL MODELS | 1998 - 2003 |

VALVES, VALVE SPRINGS, VALVE GUIDES & SEALS

| DESCRIPTION | PART NUMBER | APPLICATION | YEAR |
|---------------------------------|-------------|-------------|-------------|
| Intake Valve | 137111631A | ALL MODELS | 1998 - 2003 |
| Exhaust valve | 137151732A | ALL MODELS | 1998 - 2003 |
| Outer Valve Spring | 137311610A | ALL MODELS | 1998 - 2003 |
| Inner Valve Spring | 137321500A | ALL MODELS | 1998 - 2003 |
| Valve Guides - Intake & Exhaust | 111221220A | ALL MODELS | 1998 - 2003 |
| Valve Stem Seals | 137191360A | ALL MODELS | 1998 |
| | 137191470A | ALL MODELS | 1998 - 2003 |

OIL PUMP ASSEMBLIES

| DESCRIPTION | PART NUMBER | APPLICATION | YEAR |
|-------------------|-------------|-------------|-------------|
| Oil Pump Assembly | 151102050A | FA/FB | 1998 - 2003 |
| Oil Pump Assembly | 151102040A | FD/FE/FF/SG | 1998 - 2003 |

OIL FILLER CAP

| DESCRIPTION | PART NUMBER | APPLICATION | YEAR |
|----------------|-------------|-------------|-------------|
| Oil Filler Cap | 121081100A | ALL MODELS | 1998 - 2003 |

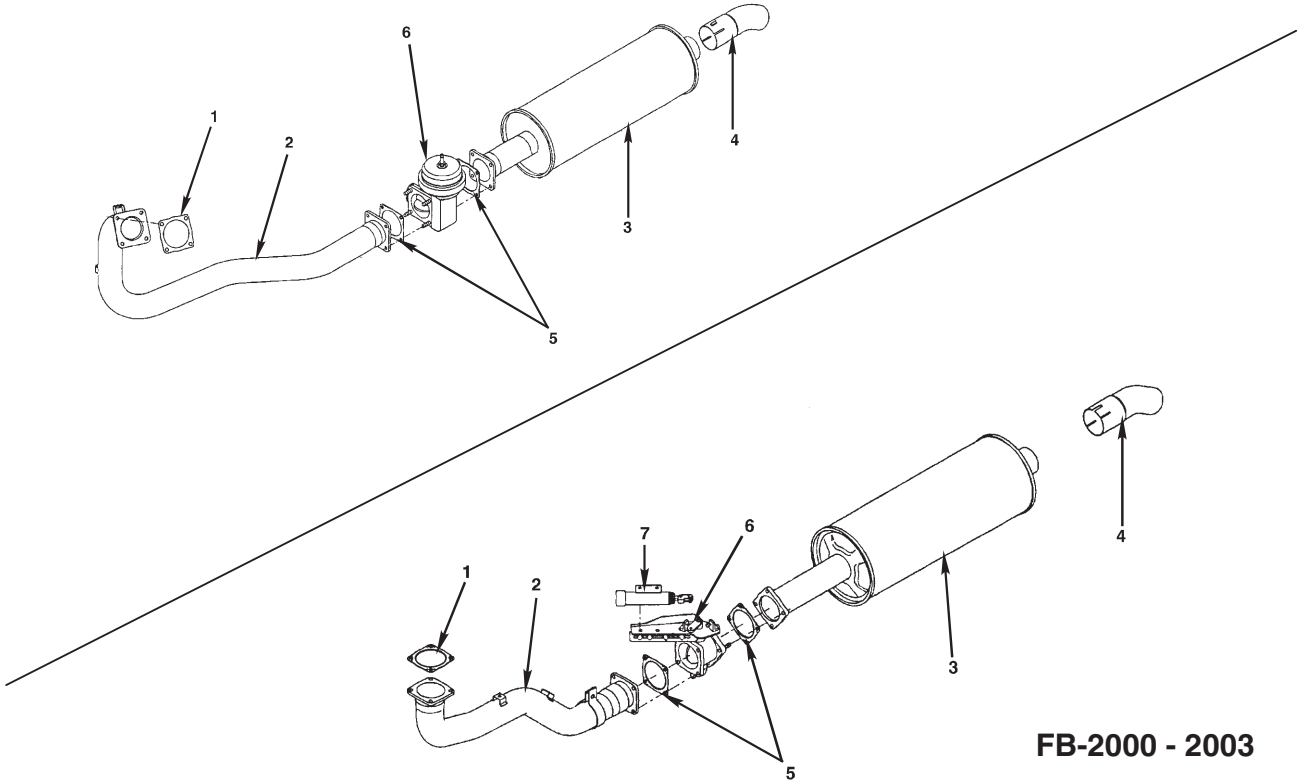
DRAIN PLUG - OIL PAN

| DESCRIPTION | PART NUMBER | APPLICATION | YEAR |
|---------------------------------|-------------|-------------|-------------|
| Drain Plug - Oil Pan (Magnetic) | 961918107A | ALL MODELS | 1998 - 2003 |
| Gasket / Washer For Plug | 965918113A | ALL MODELS | 1998 - 2003 |

EXHAUST SYSTEM - FA/FB

EXHAUST SYSTEM - FA/FB

**FA-1998-2001
FB-1998-9**

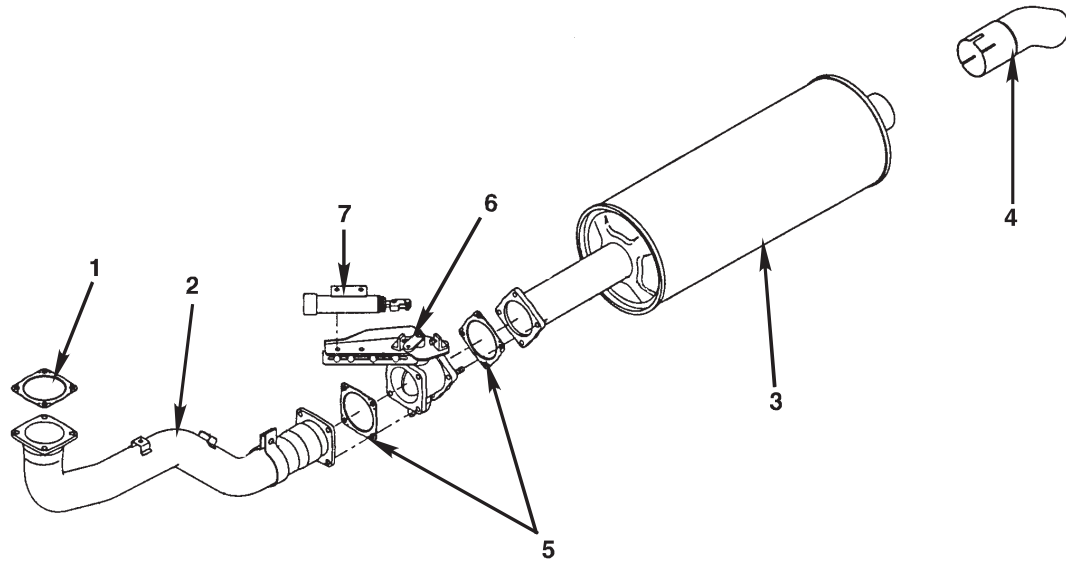


FB-2000 - 2003

| KEY | DESCRIPTION | PART NUMBER | APPLICATION | YEAR | |
|-----|--------------------------------|-----------------------------|-------------|-------------|-------------|
| 1 | Gasket, Exhaust Manifold | 171041580A | FA/FB | 1998-2003 | |
| 2 | Front Pipe | 176015121A | FA/FB | 1998 | |
| | | 176015790A | FA/FB | 1999 - 2001 | |
| | | Manual Trans. 176019561A | FA/FB | 2000 - 2003 | |
| | | Auto Trans. 176019571A | FA/FB | 2000 - 2003 | |
| 3 | Muffler | 175016751A | FA/FB | 1998 | |
| | Muffler With Catalyst | 176071010A | FA/FB | 1999 - 2003 | |
| 4 | Tail Pipe | 174055490A | FA/FB | 1998 | |
| | | 174059341A | FA/FB | 1999 - 2003 | |
| | | | | | |
| 5 | Gaskets, Exhaust Pipes | 171041580A | FA/FB | 1998 - 2003 | |
| 6 | Exhaust Brake Assembly | - With Control Cylinder | 174703040A | FA | 1998 - 2003 |
| | | - With Control Cylinder | 174703040A | FB | 1998 - 1999 |
| | | - Without Control Cylinder | 174703110A | FA | 1998 - 2003 |
| | | - Without Control Cylinder | 174703110A | FB | 1998 - 1999 |
| | | - Without Control Cylinder | 174703133A | FB | 2000 - 2003 |
| | | - Control Cylinder | 174902000A | FA | 1998 - 2003 |
| | | - Control Cylinder | 174902000A | FB | 1998 - 1999 |
| | | | | | |
| 7 | Exhaust Brake Control Cylinder | 174902070A | FB | 2000 - 2003 | |

EXHAUST SYSTEM - FD/FE/FF/SG

EXHAUST SYSTEM - FD/FE/FF/SG



| KEY | DESCRIPTION | PART NUMBER | APPLICATION | YEAR | |
|-----|--|---------------|-------------|-------------|-------------|
| 1 | Gasket, Exhaust Manifold | 171041580A | FD/FE/FF/SG | 1998 - 2003 | |
| 2 | Front Pipe | 174402421A | FD | 1998 - 1999 | |
| | | Manual Trans. | 176014991A | FD | 2000 - 2001 |
| | | 176019640A | FD | 2002 - 2003 | |
| | | Auto Trans. | 174402871A | FD | 2000 - 2001 |
| | | 174403230A | FD | 2002 - 2003 | |
| | | Manual Trans. | 176015650A | FE/FF/SG | 1998 - 1999 |
| | | 176015001A | FE/FF/SG | 2000 - 2001 | |
| | | Auto Trans. | 176019640A | FE/FF/SG | 2002 - 2003 |
| | | 174402851A | FE/FF | 2000 - 2001 | |
| | | 174403250A | FE/FF | 2002 - 2003 | |
| 3 | Muffler Muffler With Catalyst | 176017112A | SG | 2000 - 2001 | |
| | | 176019620A | SG | 2002 - 2003 | |
| 4 | Tail Pipe | 175016810A | FD/FE/FF/SG | 1998 | |
| | | 176071010C | FD/FE/FF/SG | 1999 - 2003 | |
| 5 | Gaskets, Exhaust Pipes | 174059190A | FD/FE/FF/SG | 1998 | |
| | | 174059380A | FD/FE/FF/SG | 1999 - 2003 | |
| 6 | Exhaust Brake Assembly Without Control Cylinder | 171041580A | FD/FE/FF/SG | 1998 - 2003 | |
| | | 174702881A | FD/FE/FF/SG | 1998 - 2001 | |
| 7 | Control Cylinder | 174703241A | FD/FE/FF/SG | 2002 - 2003 | |
| | | 174902070A | FD/FE/FF/SG | 1998 - 2001 | |
| | | 174901871A | FD/FE/FF/SG | 2002 - 2003 | |

OIL, FUEL & AIR FILTERS

| DESCRIPTION | PART NUMBER | APPLICATION | YEAR |
|--|--------------------|--------------------|-------------|
| Oil Filter | 156072170A | ALL MODELS | 1998 - 2003 |
| Combination Element For Fuel Filter/Water Separator By fuel Tank | 234011440A | ALL MODELS | 1998 - 2003 |
| Fuel Filter By Engine | 234011510A | FA/FB | 1998 - 2002 |
| | 234011402A | FD/FE/FF/SG | 1998 - 2002 |
| | 234011510A | ALL MODELS | 2003 |
| Air Filter | 178013000A | FA/FB | 1998 - 2003 |
| | 178012810A | FD/FE/FF/SG | 1998 - 2003 |

POWER STEERING & AUTOMATIC TRANSMISSION FILTERS

| DESCRIPTION | PART NUMBER | APPLICATION | YEAR |
|-----------------------------------|--------------------|--------------------|-------------|
| Power Steering Reservoir Strainer | 472281050A | ALL MODELS | 1998 - 2003 |
| Power Steering Reservoir Filter | 443611070A | FD/FE/FF/SG | 1998 - 2003 |
| Automatic Transmission Filter | 349261041A | ALL MODELS | 1998 - 2001 |

FUEL SYSTEM

FUEL TANK

| DESCRIPTION | PART NUMBER | APPLICATION | YEAR |
|---|-------------|-------------|-------------|
| Primary Fuel Tank - 35/SNYDER | 771003441A | FA/FB | 1998 - 2001 |
| | 771001160A | FA/FB | 2002 - 2003 |
| Primary Fuel Tank - 56/SNYDER | 771003022A | FD/FE/FF/SG | 1998 - 2001 |
| | 771001180A | FD/FE/FF/SG | 2002 - 2003 |
| Band Strap - 2 Per Tank | 776013170A | FA/FB | 1998 - 2001 |
| | 776012250A | FA/FB | 2002 - 2003 |
| | 776012700A | FD/FE/FF/SG | 1998 - 2001 |
| | 776012051A | FD/FE/FF/SG | 2002 - 2003 |
| L-Support Bracket - 2 Per Tank | 776098740A | FA/FB | 1998 - 2001 |
| | 776095610A | FA/FB | 2002 - 2003 |
| | 776097351A | FD/FE/FF/SG | 1998 - 2001 |
| | 776094611A | FD/FE/FF/SG | 2002 - 2003 |
| Secondary Fuel Tanks (Optional Equipment) - 56/SNYDER | 771003022A | FD/FE/FF/SG | 1998 - 2001 |
| | 771001190A | FD/FE/FF/SG | 2002 - 2003 |
| Cap, Fuel Tank | 773201390A | ALL MODELS | 1998 - 2001 |
| | 773201640A | ALL MODELS | 2002 - 2003 |
| Fuel Gauge Sending Unit | 833202060A | FA/FB | 1998 - 2001 |
| | 833201590A | FA/FB | 2002 - 2003 |
| | 833201950A | FD/FE/FF/SG | 1998 - 2001 |
| | 833202160A | FD/FE/FF/SG | 2002 - 2003 |

FUEL INJECTION SYSTEM

| DESCRIPTION | PART NUMBER | APPLICATION | YEAR |
|---|-------------|-------------|-------------|
| Complete Nozzle & Holder (Remanufactured) | 236002971R | ALL MODELS | 1998 |
| | 236003210R | ALL MODELS | 1999 - 2003 |
| Nozzle Assembly Only | 236402491A | ALL MODELS | 1998 |
| | 236402650A | ALL MODLES | 1999 - 2003 |
| Shim | 900115214A | ALL MODELS | 1999 - 2003 |
| Gasket | 965908119A | ALL MODELS | 1999 - 2003 |
| Fuel Feed Pump Assembly | 225602510A | FA/FB | 1998 - 2003 |
| | 225602150A | FD/FE/FF/SG | 1998 - 2003 |

ENGINE GASKETS

| DESCRIPTION | PART NUMBER | APPLICATION | YEAR |
|---|--------------------|--------------------|-------------|
| Complete Engine Overhaul Gasket Set With Seals (See NOTE) | 040100767A | FA/FB | 1998 - 2001 |
| | 040100715A | FD/FE/FF/SG | 1998 - 2001 |
| Head Gasket Sel (See NOTE) | 040102073A | FA/FS | 1998 - 2004 |
| | 040102072A | FD/FE/FF/SG | 1998 - 2004 |
| Cylinder Head Gasket | 111152611A | FA/FS | 1998 - 2004 |
| | 111152650A | FD/FE/FF/SG | 1998 - 2004 |
| Valve Cover Gasket | 112131920A | FA/FB | 1998 - 2004 |
| | 112131880A | FD/FE/FF/SG | 1998 - 2004 |
| Camshaft Housing Gasket | 111181030A | FA/FB | 1998 - 2004 |
| | 111181011A | FD/FE/FF/SG | 1998 - 2004 |
| Oil Pan Gasket | 121512622A | FA/FB | 1998 - 2004 |
| | 121512611A | FD/FE/FF/SG | 1998 - 2004 |
| Intake Manifold Gasket | 171712000A | FA/FB | 1998 - 2004 |
| | 171711911A | FD/FE/FF/SG | 1998 - 2004 |
| Intake Pipe to Manifold Gasket | 171712080A | FA/FB | 1998 - 2001 |
| | 171711931A | FD/FE/FF/SG | 1998 - 2004 |
| Exhaust Manifold Gaskets (4 Required) | 171041610A | FA/FB | 1998 - 2004 |
| Exhaust Manifold Gaskets (6 Required) | 171041610A | FD/FE/FF/SG | 1998 - 2004 |
| Silicone Bond | 041321207A | ALL MODELS | 1998 - 2004 |

NOTE: Gasket sets do not include valve stem seals, but do include front and rear crankshaft seals, timing cover injection pump shaft seals.

TRANSMISSION GASKETS SETS

| DESCRIPTION | PART NUMBER | APPLICATION | YEAR |
|-------------------------|--------------------|--------------------|-------------|
| Transmission Gasket Set | 040330168A | FN/FB/FD | 1998 - 2004 |
| | 040330162A | FF/FF | 1998 - 2004 |
| | 040330098A | SG2J | 1998 - 2004 |
| | 040330162A | SG2J | 1998 - 2004 |
| | 040330098A | SG1J | 1998 - 2004 |

OIL SEALS

ENGINE OIL SEALS

| DESCRIPTION | PART NUMBER | APPLICATION | YEAR |
|-----------------------|-------------|-------------|-------------|
| Front Crankshaft Seal | 982879103A | ALL MODELS | 1998 - 2004 |
| Rear Crankshaft Seal | 982801228A | ALL MODELS | 1998 - 2004 |
| Valve Stem Oil Seals | 137191360A | ALL MODELS | 1998 |
| | 137191470A | ALL MODELS | 1999 - 2004 |

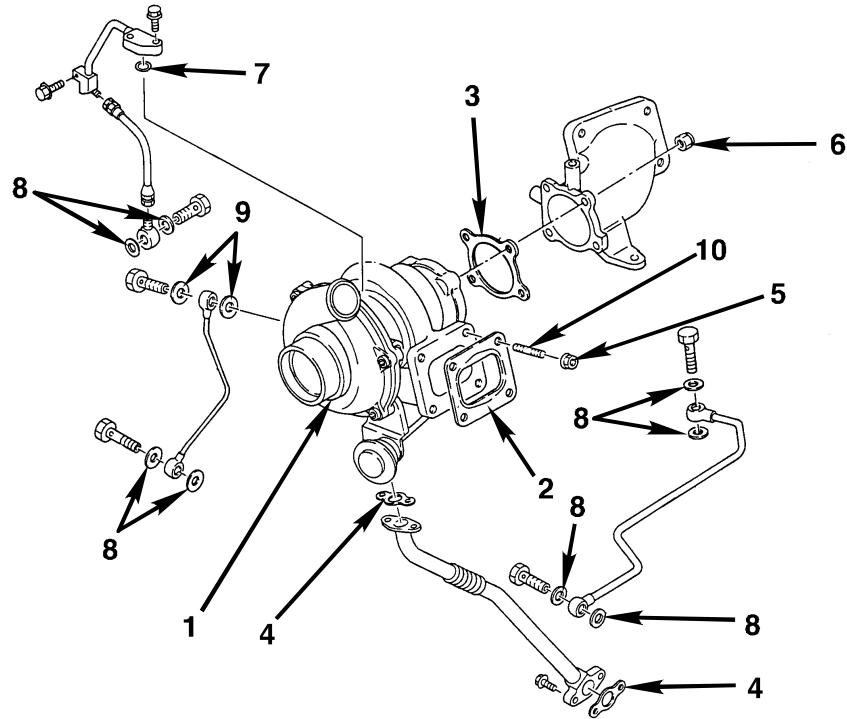
AXLE SEALS

| DESCRIPTION | PART NUMBER | APPLICATION | YEAR |
|---------------------------|-------------|-------------|-------------|
| Front Axle Inner Hub Seal | 982885106A | FA/FB | 1998 - 2004 |
| | 982801231A | FD | 1998 - 2004 |
| | 982801229A | FE/FF/SG | 1998 - 2004 |
| Rear Axle Outer Hub Seal | 982857103A | FA/FB/FD | 1998 - 2004 |
| | 982866106A | FE/FF/SG | 1998 - 2004 |
| Rear Axle Inner Hub Seal | 982801232A | FA/FB/FD | 1998 - 2004 |
| | 982801204A | FE/FF/SG | 1998 - 2004 |

TRANSMISSION & DIFFERENTIAL OIL SEALS

| DESCRIPTION | PART NUMBER | APPLICATION | YEAR |
|---|-------------|----------------|-------------|
| Transmission Front Seal Input Shaft (Manual Trans.) | 982848120A | FA/FB/FD/FE/FF | 1998 - 2004 |
| | 982850105A | SG2J | 1998 - 1999 |
| | 982848120A | SG2J | 2000 - 2004 |
| | 982850105A | SG1J | 1998 - 2004 |
| Transmission Rear Seal Output Shaft (Manual Trans.) | 982860131A | FA/FB/FD | 1998 - 2004 |
| | 982863108A | FE/FF | 1998 - 2004 |
| | 982870101A | SG2J | 1998 - 1999 |
| | 982863108A | SG2J | 2000 - 2004 |
| | 982870101A | S1J | 1998 - 2001 |
| Rear Differential Pinion Seal | 982865127A | FA/FB/FD/FE | 1998 - 2004 |
| | 982880111A | FF/SG | 1998 - 2001 |

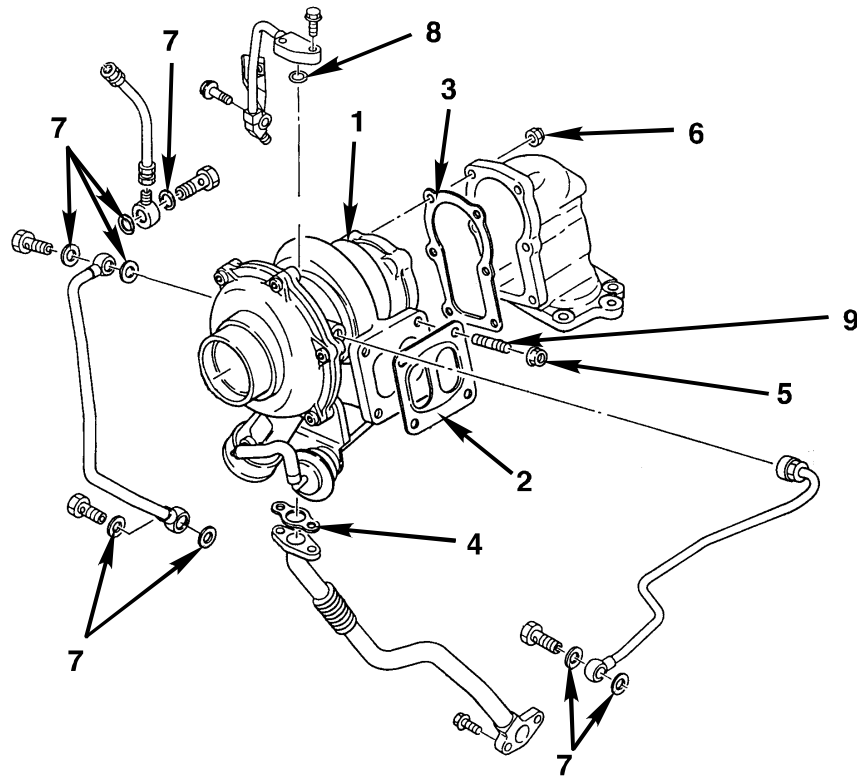
TURBOCHARGER - FA/FB



| KEY | DESCRIPTION | PART NUMBER | APPLICATION | YEAR |
|-----|---------------------------------|-------------|-------------|-------------|
| 1 | Turbocharger | 241003400A | FA/FB | 1998 - 2003 |
| 2 | Gasket | 241091650A | FA/FB | 1998 - 2003 |
| 3 | Gasket | 241091291A | FA/FB | 1998 - 2003 |
| 4 | Gasket, Oil Return (2 required) | 241351120A | FA/FB | 1998 - 2003 |
| 5 | Nut (4 required) | 924910102A | FA/FB | 1998 - 2003 |
| 6 | Nut (4 required) | 924908102A | FA/FB | 1998 - 2003 |
| 7 | O-Ring | 985114102A | FA/FB | 1998 - 2003 |
| 8 | Gasket (8 required) | 965914104A | FA/FB | 1998 - 2003 |
| 9 | Gasket (2 required) | 965916105A | FA/FB | 1998 - 2003 |
| 10 | Stud (4 Required) | 936910138A | FA/FB | 1998 - 2003 |

TURBOCHARGER - FD/FE/FF/SG

TURBOCHARGER - FD/FE/FF/SG



| KEY | DESCRIPTION | PART NUMBER | APPLICATION | YEAR |
|-----|---------------------------------|-------------|-------------|-------------|
| 1 | Turbocharger | 241003251A | FD/FE/FF/SG | 1998 - 2003 |
| 2 | Gasket | 241091610A | FD/FE/FF/SG | 1998 - 2003 |
| 3 | Gasket | 241091700A | FD/FE/FF/SG | 1998 - 2003 |
| 4 | Gasket, Oil Return (2 required) | 241351120A | FD/FE/FF/SG | 1998 - 2003 |
| 5 | Nut (4 required) | 924910102A | FD/FE/FF/SG | 1998 - 2003 |
| 6 | Nut (6 required) | 924908102A | FD/FE/FF/SG | 1998 - 2003 |
| 7 | Gasket (8 required) | 965914104A | FD/FE/FF/SG | 1998 - 2003 |
| 8 | O-Ring | 985114102A | FD/FE/FF/SG | 1998 - 2003 |
| 9 | Stud (4 Required) | 936910138A | FD/FE/FF/SG | 1998 - 2003 |

WINDSHIELD WIPERS

| DESCRIPTION | PART NUMBER | APPLICATION | YEAR |
|---|--------------------|--------------------|-------------|
| Wiper Blade Assemblies | 852201481A | ALL MODELS | 1998 - 2001 |
| Winter Wiper Blades | 852201383A | ALL MODELS | 1998 - 2001 |
| Inserts For Standard Blades | 852211080A | ALL MODELS | 1998 - 2001 |
| Wiper Arms -RH | 851901592A | FA/FB/FD/FE | 1998 - 1999 |
| | 851901701A | FA/FB/FD/FE | 2000 - 2001 |
| | 851901603A | FF/SG | 1998 - 1999 |
| | 851901712A | FF/SG | 2000 - 2001 |
| -LH | 852101392A | FA/FB/FD/FE | 1998 - 1999 |
| | 852101521A | FA/FB/FD/FE | 2000 - 2001 |
| | 852101403A | FF/SG | 1998 - 1999 |
| | 852101532A | FF/SG | 2000 - 2001 |
| Wiper Motor Assembly | 851201392A | FA/FB/FD/FE | 1998 - 2001 |
| | 851201402A | FF/SG | 1998 - 2001 |
| Windshield Washer Nozzle (On Blade Arm) | 853411031A | ALL MODELS | 1998 - 2001 |
| | 853411061A | ALL MODELS | 1998 - 2001 |
| Windshield Washer Jar & Pump Assembly 1/2 GAL | 853001811A | FA/FB | 1998 - 1999 |
| 1/2 GAL | 853001773A | FD/FE/FF/SG | 1998 - 1999 |
| 1 GAL | 853002002A | ALL MODELS | 2000 - 2001 |

NOTE: Please check size before purchasing. Additional parts required when upgrading or downgrading washer jar & pump assembly. 1999 - 2000 MY vehicles may have either, since the larger jar & pump was optional in late 1999 and 2000.